

YAMAHA

PARTS LIST

MODEL FS1 '79

MODEL FS1-DX'79

FOR W.GERMANY (MODEL CODE 3F2)

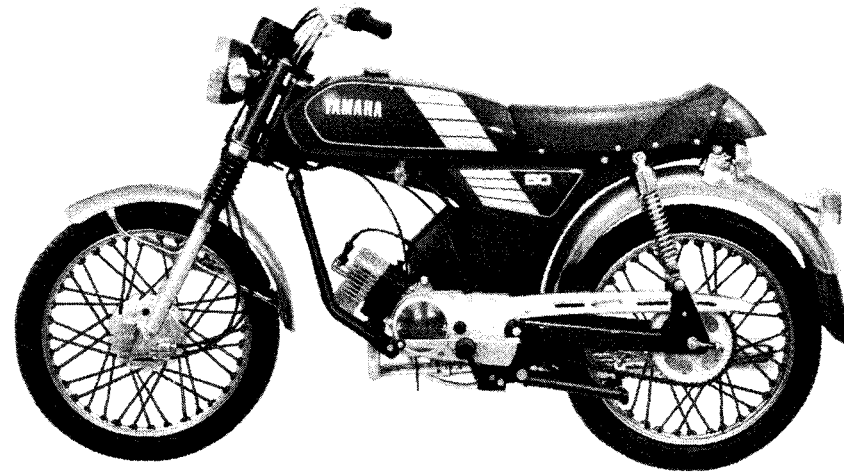
BELGIUM (MODEL CODE 3F5)

SWEDEN (MODEL CODE 3F0, 3F1)

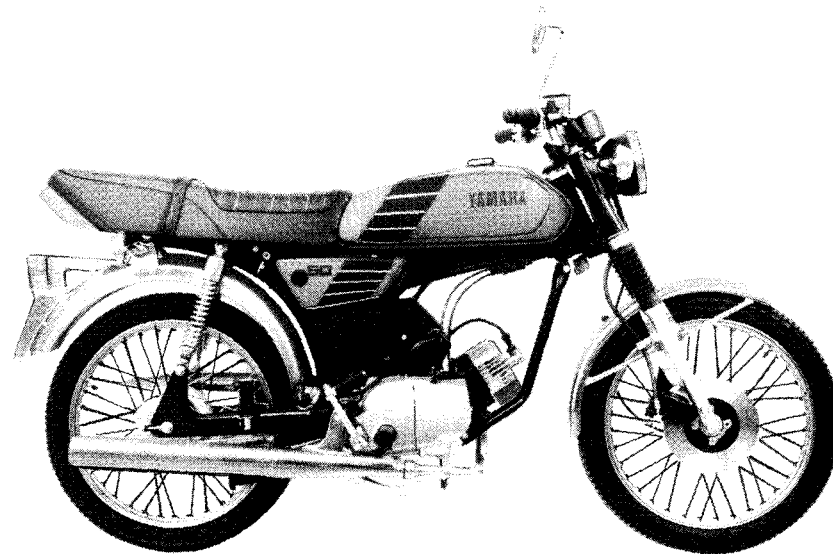
NORWAY (MODEL CODE 3F4)

COPY RIGHT: ALL RIGHTS RESERVED
NO PART OF THIS PUBLICATION MAY BE REPRODUCED WITHOUT PERMISSION.

3F2-28198-E5



FS1



FS1-DX

FOREWORD

This Parts List is related to the parts in use for the Yamaha FS1'79(3F0), FS1-DX'79 (3F2, 3F5, 3F1, 3F4). When you are ordering replacement parts for the FS1'79(3F0), FX1-DX'79(3F2, 3F5, 3F1, 3F4) refer to this Parts List and quote both part numbers and part names correctly.

1. Modifications or additions which have been made after issue of the Parts List will be announced in the Yamaha Parts News.
It is advisable that according to the Yamaha Parts News you make necessary corrections to the Parts List on hand to keep it up-to-date.

2. Abbreviations

The following abbreviations are used in this Parts List.

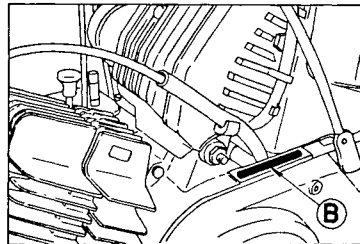
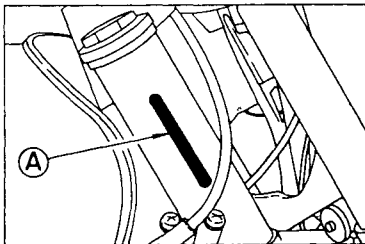
- U.R. Use size (thickness) and/or number as required.
- U.N. Use as many as you need.
- F# Frame No. (Applicable machine No.)

3. Parts, which are to be supplied in the form of assemblies, are listed with an indentation of one letter's space, and a dot (.) is put against the name of each part.

EXAMPLE CARBURETOR ASS'Y
 . JET, pilot
 . NOZZLE, main

4. Initial Serial No. and Color Code

(A)	Frame Serial No.	3F2-000101 and following	for FS1-DX'79(3F2)
(B)	Engine Serial No.	3F2-000101 and following	W. Germany
(A)	Frame Serial No.	3F5-000101 and following	for FS1-DX'79(3F5)
(B)	Engine Serial No.	3F5-000101 and following	Belgium
(A)	Frame Serial No.	3F1-000101 and following	for FS1'79(3F0)
(B)	Engine Serial No.	3F1-000101 and following	Sweden
(A)	Frame Serial No.	3F1-100101 and following	for FS1-DX'79(3F1)
(B)	Engine Serial No.	3F1-100101 and following	Sweden
(A)	Frame Serial No.	3F4-000101 and following	for FX1-DX'79(3F4)
(B)	Engine Serial No.	3F4-000101 and following	Norway



Color Code	Color Name	Color Code	Color Name
33	Yamaha Black	36	Clean White
91	Uni-Chrome Plated	E9	Carmine Red
93	Chrome Plated	G3	French Blue
98	Low Gloss Black		
R4	Heat Proof Black		

CONTENTS

ENGINE

Fig. 1	Crankcase - Cylinder	1
Fig. 2	Crankcase Cover	2
Fig. 3	Crank - Piston	3
Fig. 4	Clutch	4
Fig. 5	Transmission	5
Fig. 6	Shifter 1	6
Fig. 7	Shifter 2	7
Fig. 8	Kick Starter	8
Fig. 9	Intake	9
Fig. 10	Carburetor	10
Fig. 11	Exhaust	12
Fig. 12	Oil Pump	13
Fig. 13	Flywheel Magneto	14

CHASSIS

Fig. 14	Frame - Side Cover	15
Fig. 15	Rear Arm - Rear Cushion - Chain Case	17
Fig. 16	Stand - Footrest - Brake Pedal	18
Fig. 17	Front Fender - Rear Fender	19
Fig. 18	Front Fork (FS1)	20
Fig. 19	Front Fork (FS1-DX)	21
Fig. 20	Steering	22
Fig. 21	Handle - Wire (FS1)	23
Fig. 22	Handle - Wire (FS1-DX)	25
Fig. 23	Master Cylinder - Brake Hose (FS1-DX)	28
Fig. 24	Fuel Tank	29
Fig. 25	Oil Tank	30
Fig. 26	Seat	31
Fig. 27	Front Wheel (FS1)	32
Fig. 28	Front Wheel (FS1-DX)	34
Fig. 29	Disk Brake - Caliper (FS1-DX)	35
Fig. 30	Rear Wheel	36

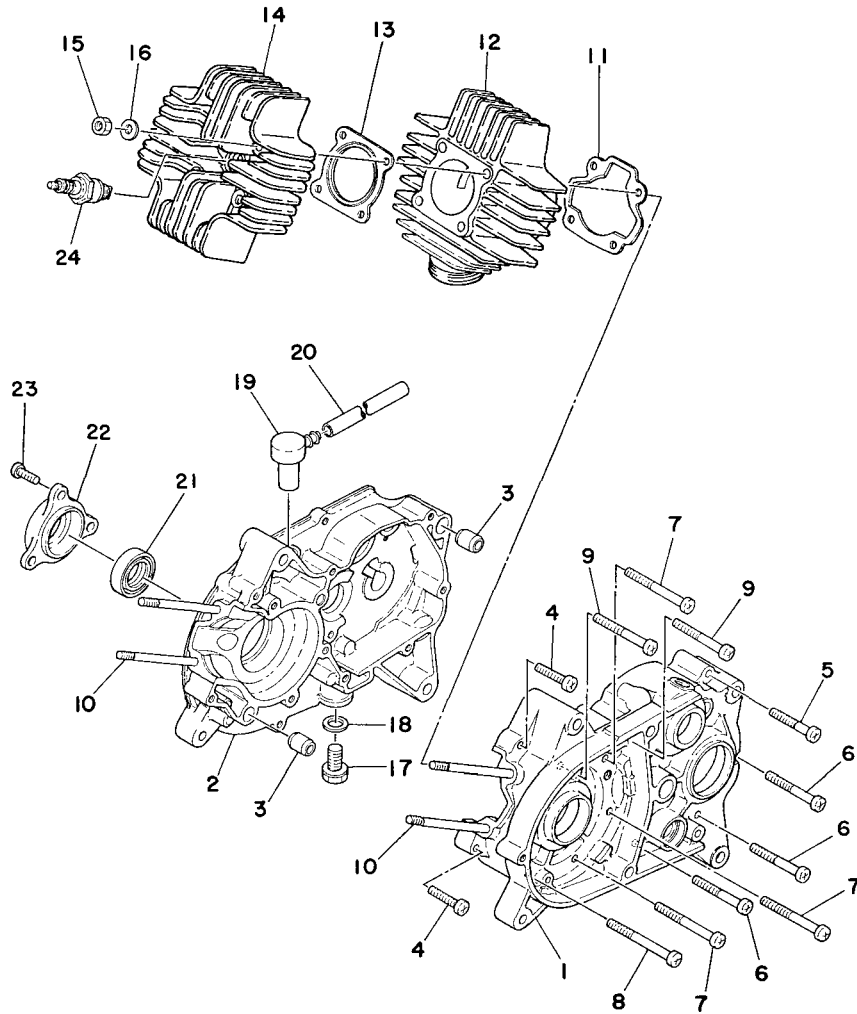
Fig. 31	Head Lamp 1	38
Fig. 32	Head Lamp 2	39
Fig. 33	Speedometer	40
Fig. 34	Tail Lamp 1	41
Fig. 35	Tail Lamp 2	42
Fig. 36	Flasher Lamp 1	43
Fig. 37	Flasher Lamp 2	44
Fig. 38	Electrical	45

REPAIR KIT

Fig. 39	Repair Kit	48
---------	------------	----

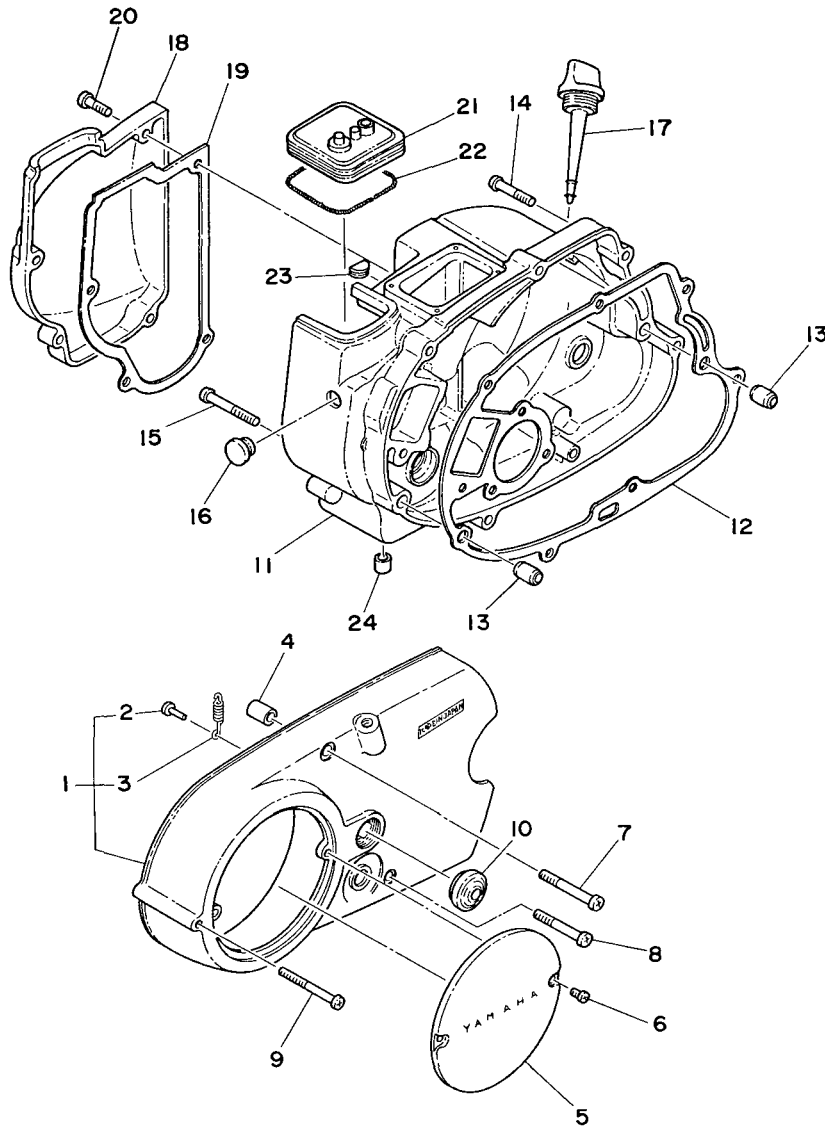
NUMERICAL INDEX

Fig. 1 CRANKCASE · CYLINDER



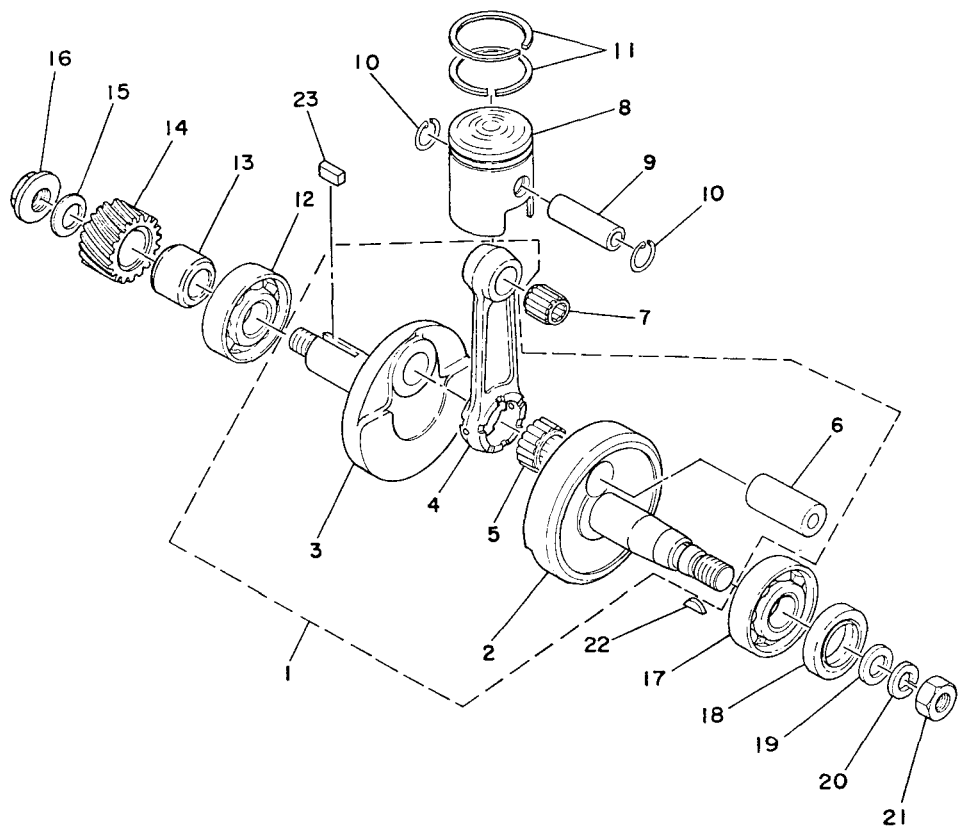
Ref.No.	Part No.	Description	Q'ty		FRANCE	HOLLAND	SWITZERLAND	W. GERMANY	FINLAND	DENMARK	NORWAY	AUSTRIA	ENGLAND	ITALY	Remarks
			FS1	FSIDX											
1-	1	257-15111-01	CASE, crank left	1	1	x	x	x	x	x	x	x	x		
	2	378-15121-60	CASE, crank right	1	1	x	x	x	x	x	x	x	x		
	3	91830-22016	PIN, dowel (8.4-12-16)	2	2	x	x	x	x	x	x	x	x		
	4	92501-06030	SCREW, panhead	2	2	x	x	x	x	x	x	x	x		
	5	92501-06045	SCREW, panhead	1	1	x	x	x	x	x	x	x	x		
	6	92501-06050	SCREW, panhead	3	3	x	x	x	x	x	x	x	x		
	7	92501-06060	SCREW, panhead	3	3	x	x	x	x	x	x	x	x		
	8	92501-06065	SCREW, panhead	1	1	x	x	x	x	x	x	x	x		
	9	92501-06055	SCREW, panhead	2	2	x	x	x	x	x	x	x	x		
	10	90116-06026	BOLT, stud (109-11361-00)	4	4	x	x	x	x	x	x	x	x		
	11	3E1-11351-00	GASKET, cylinder	1	1	x	x	x	x	x	x	x	x		
	12	3F2-11311-00	CYLINDER	1	1	x									
		3E8-11311-00	CYLINDER	1	1		x	x							
	13	1G3-11181-00	GASKET, cylinder head	1	1	x									
		517-11181-00	GASKET, cylinder head	1	1		x	x							
		378-11181-60	GASKET, cylinder head	1	1										
	14	3F0-11111-00	HEAD, cylinder	1	1	x									
		3E8-11111-00	HEAD, cylinder	1	1		x								
		3F1-11111-00	HEAD, cylinder	1	1			x							
	15	95301-06600	NUT, hexagon	4	4	x	x	x	x	x	x	x	x		
	16	92901-06200	WASHER, plain	4	4	x	x	x	x	x	x	x	x		
	17	90340-12005	PLUG (132-15351-00)	1	1	x	x	x	x	x	x	x	x		
	18	90430-12038	GASKET (132-15353-00)	1	1	x	x	x	x	x	x	x	x		
	19	498-15371-00	BREATHER	1	1	x	x	x	x	x	x	x	x		
	20	90446-07009	HOSE (304-15373-00)	1	1	x	x	x	x	x	x	x	x		5-200
	21	93103-25078	OIL SEAL (SW-25-35-10)	1	1	x	x	x	x	x	x	x	x		
	22	378-15359-60	HOUSING, oil seal	1	1	x	x	x	x	x	x	x	x		
	23	92501-06015	SCREW, panhead	3	3	x	x	x	x	x	x	x	x		
	24	94701-00039	PLUG, spark (B-6HS)	1	1	x	x	x	x	x	x	x	x		

Fig. 2 CRANKCASE COVER



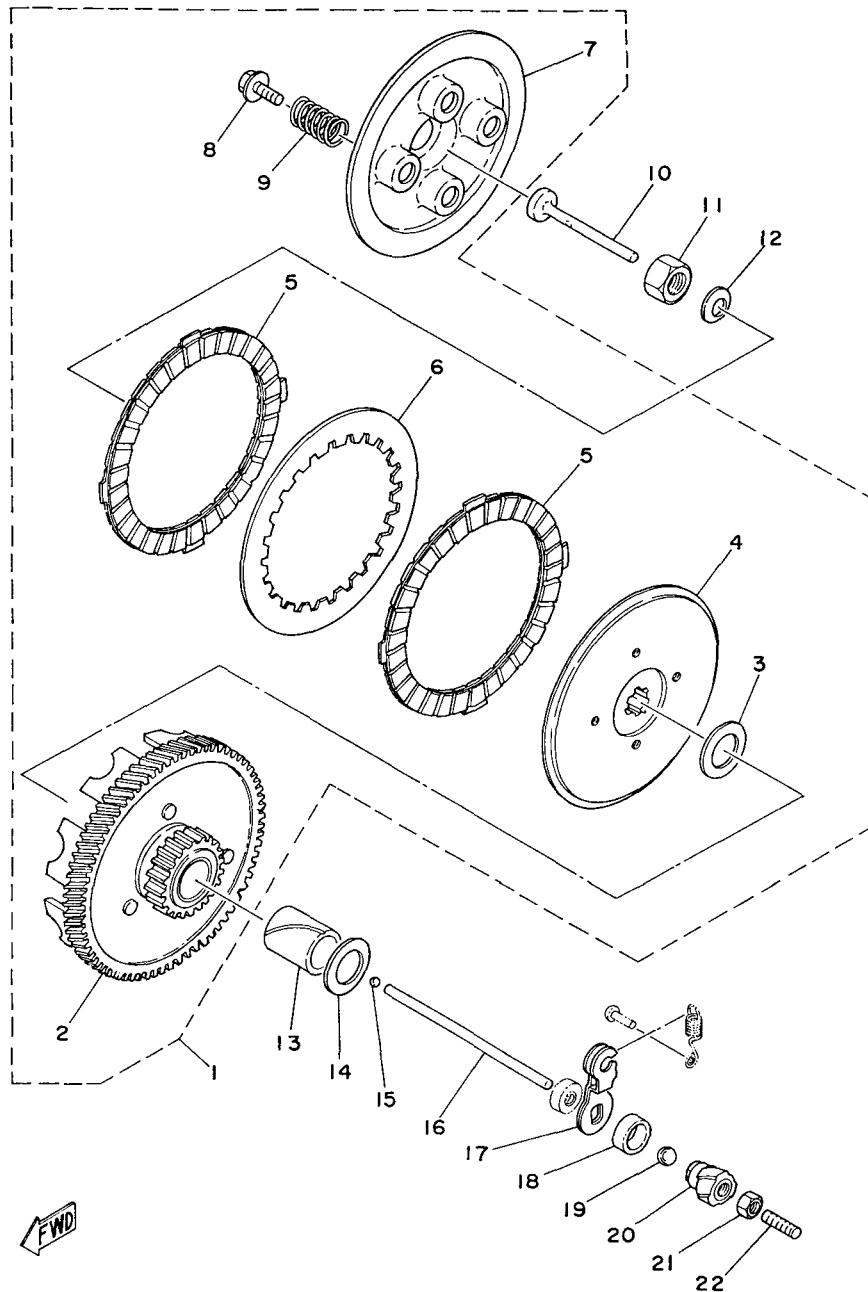
Ref.No.	Part No.	Description	Q'ty	Country												Remarks
				FRANCE	HOLLAND	W. GERMANY	SWITZERLAND	BELGIUM	SWEDEN	FINLAND	DENMARK	NORWAY	AUSTRIA	ENGLAND	ITALY	
2-1	257-15410-01	CRANKCASE COVER ASS'Y, left	1	x	x	x	x	x	x	x	x	x	x	x	x	
2	132-16346-00	. HOOK, spring	1	1		x	x	x	x							
3	90506-07066	. SPRING, tension (257-16345-00)	1	1		x	x	x	x							
4	91830-21014	PIN, dowel (6.4-10-14)	2	2		x	x	x	x							
5	164-15415-00	COVER, generator	1	1		x	x	x	x							
6	98501-04006	SCREW, panhead	2	2		x	x	x	x							
7	92501-06045	SCREW, panhead	2	2		x	x	x	x							
8	92501-06040	SCREW, panhead	1	1		x	x	x	x							
9	92501-06050	SCREW, panhead	1	1		x	x	x	x							
10	257-15417-01	COVER, cap	1	1		x	x	x	x							
11	474-15421-00	COVER, crankcase right	1		x											
	3F5-15421-00	COVER, crankcase right	1			x										
	378-15421-60	COVER, crankcase right	1								x					
	1X5-15420-60	CRANKCASE COVER ASS'Y, right	1	1								x				
12	378-15451-60	GASKET, crankcase cover	1	1		x	x	x	x							
13	91830-21014	PIN, dowel (6.4-10-14)	2	2		x	x	x	x							
14	92501-06030	SCREW, panhead	6	6		x	x	x	x							
15	92501-06040	SCREW, panhead	1	1		x	x	x	x							
16	90480-12012	GROMMET (122-15486-00)	1	1		x	x	x	x							
17	315-15362-01	PLUG, oil level	1	1		x	x	x	x							
18	257-15413-00	COVER, carburetor	1	1		x	x	x	x							
19	257-15463-00	GASKET, carburetor cover	1	1		x	x	x	x							
20	92501-06018	SCREW, panhead	4	4		x	x	x	x							
21	288-14481-01	CAP, carburetor	1	1		x					x					
	2F2-14481-00	CAP, carburetor	1								x					
22	90506-06095	SPRING, tension (288-14455-00)	1	1		x	x	x	x							
23	129-15489-10	GROMMET, pump wire	1	1							x					
24	257-15433-00	CLEANER, drain	1	1		x	x	x	x							

Fig. 3 CRANK · PISTON



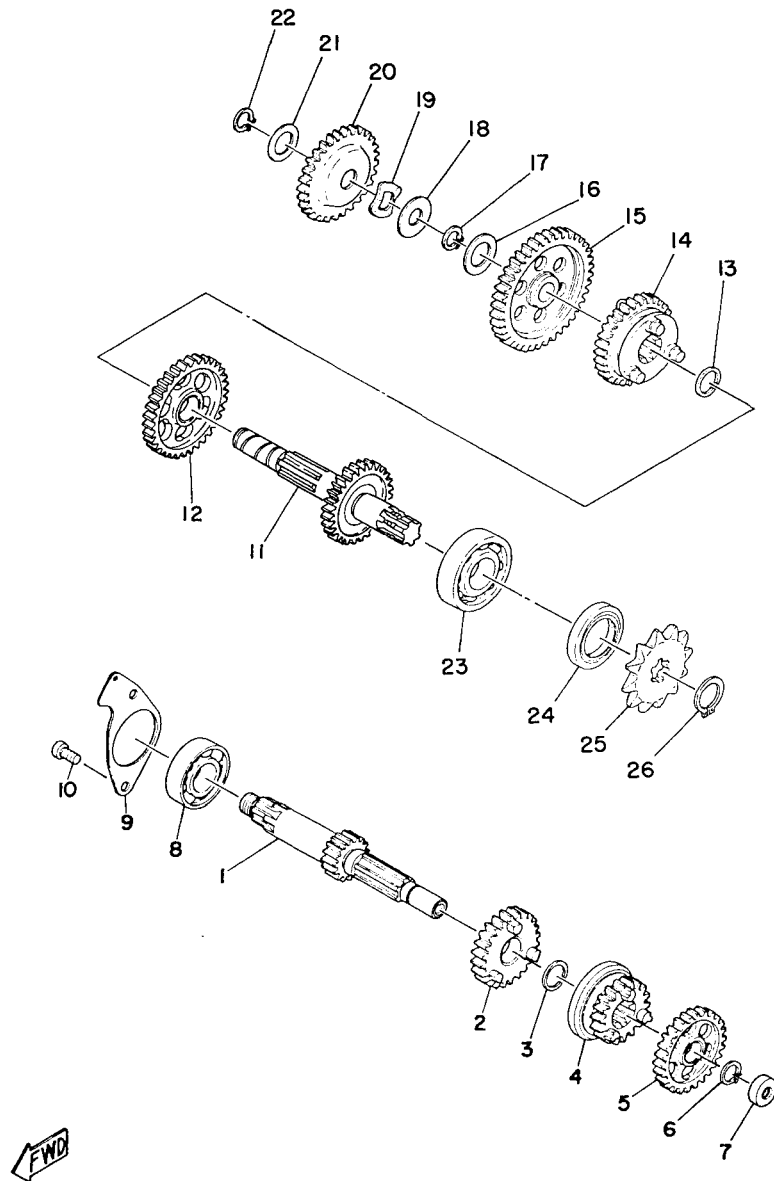
Ref.No.	Part No.	Description	Q'ty	Remarks	
3- 1	3E8-11400-00	CRANK ASS'Y	1		
2	3E8-11412-00	. CRANK, left	1		
3	3E8-11422-00	. CRANK, right	1		
4	538-11651-01	. ROD, connecting	1		
5	93310-41809	. BEARING, big end	1		
6	257-11681-00	. PIN, crank	1		
7	93310-11268	BEARING, small end	1		
8	3E8-11631-00-96	PISTON (39.96mm STD)	} U.R. 1		
	3E8-11631-00-97	PISTON (39.97mm STD)			
	3E8-11635-00	PISTON (40.25mm 1st O.S)		1	Alternate Parts
	3E8-11636-00	PISTON (40.50mm 2nd O.S)		1	Alternate Parts
9	102-11633-02	PIN, piston	1		
10	93450-13022	CIRCLIP (132-11634-00)	2		
11	260-11610-02	PISTON RING SET (STD)	1s		
	260-11610-12	PISTON RING SET (1st O.S)	1s	Alternate Parts	
	260-11610-22	PISTON RING SET (2nd O.S)	1s	Alternate Parts	
12	93306-30302	BEARING (B6303C3)	1		
13	90387-17139	COLLAR (378-16136-60)	1		
14	257-16111-01	GEAR, primary drive (19T)	1		
15	90208-12015	WASHER (164-16119-00)	1		
16	90179-12244	NUT (353-16144-00)	1		
17	93306-20418	BEARING (B6204)	1		
18	93102-20009	OIL SEAL (SD-20-35-7)	1		
19	90201-12535	WASHER, plate	1		
20	92901-12100	WASHER, spring	1		
21	90170-12175	NUT, hexagon	1		
22	90280-03017	KEY, woodruff (146-11545-00)	1		
23	90282-05028	KEY, straight	1		

Fig. 4 CLUTCH



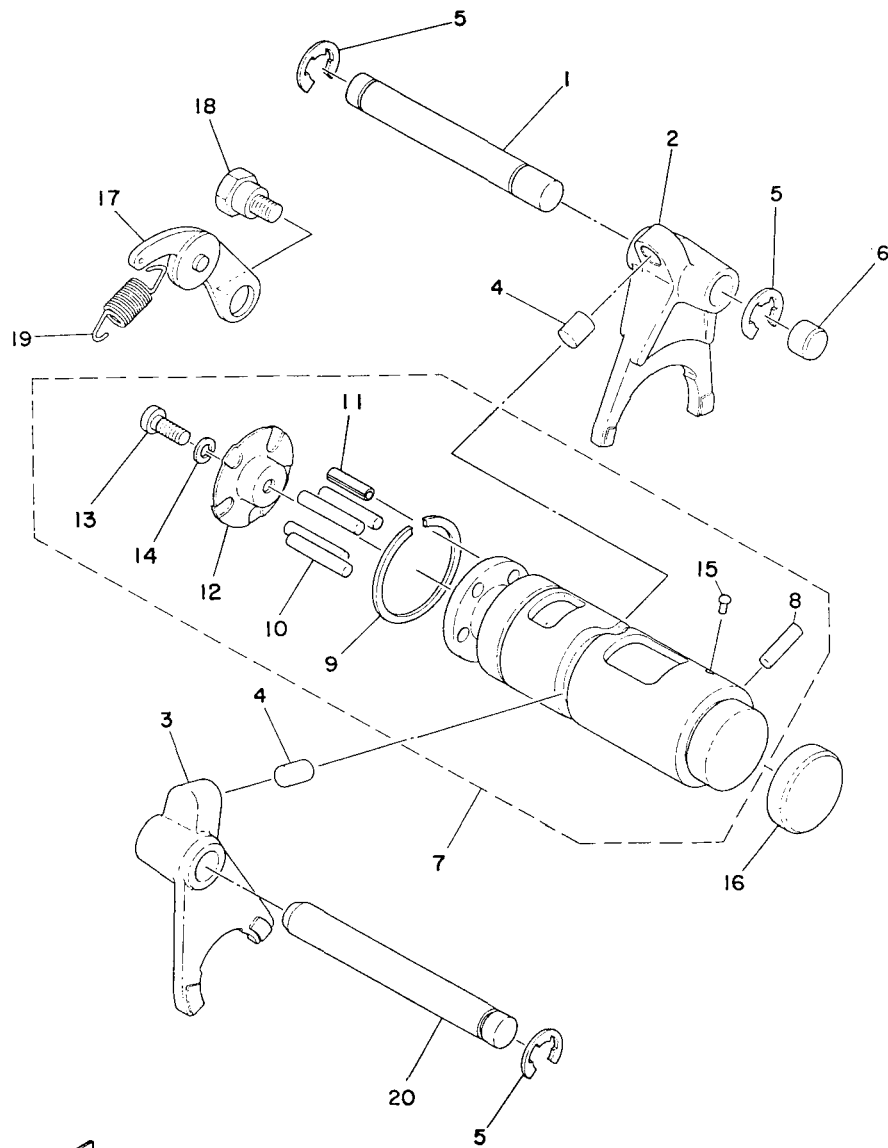
Ref.No.	Part No.	Description	Q'ty	Remarks
4-1	257-16301-03	CLUTCH ASS'Y	1	
2	257-16150-03	. PRIMARY DRIVEN GEAR COMP. (74T)	1	
3	122-16164-00	. PLATE, thrust (17.2-30-2)	1	
4	257-16371-01	. BOSS, clutch	1	
5	131-16321-00	. PLATE, friction	2	
6	257-16324-00	. PLATE, clutch	1	
7	257-16351-00	. PLATE, pressure	1	
8	90119-05001	. BOLT	4	
9	90501-20122	. SPRING (137-16333-00)	4	
10	137-16356-00	ROD, push 1	1	
11	90170-12060	NUT, hexagon (137-16377-00)	1	
12	90208-12015	WASHER (164-16119-00)	1	
13	90560-17150	SPACER	1	
14	122-16164-00	PLATE, thrust (17.2-30-2)	1	
15	93503-16010	BALL (3/16 inch)	1	
16	257-16357-00	ROD, push 2	1	
17	257-16342-00	LEVER, push	1	
18	93108-15001	OIL SEAL (OSO-15.3-22-7)	1	
19	93501-04011	BALL (1/4 inch)	1	
20	257-16341-00	SCREW, push	1	
21	95301-06700	NUT, hexagon	1	
22	90113-06009	BOLT, set (257-16343-00)	1	

Fig. 5 TRANSMISSION



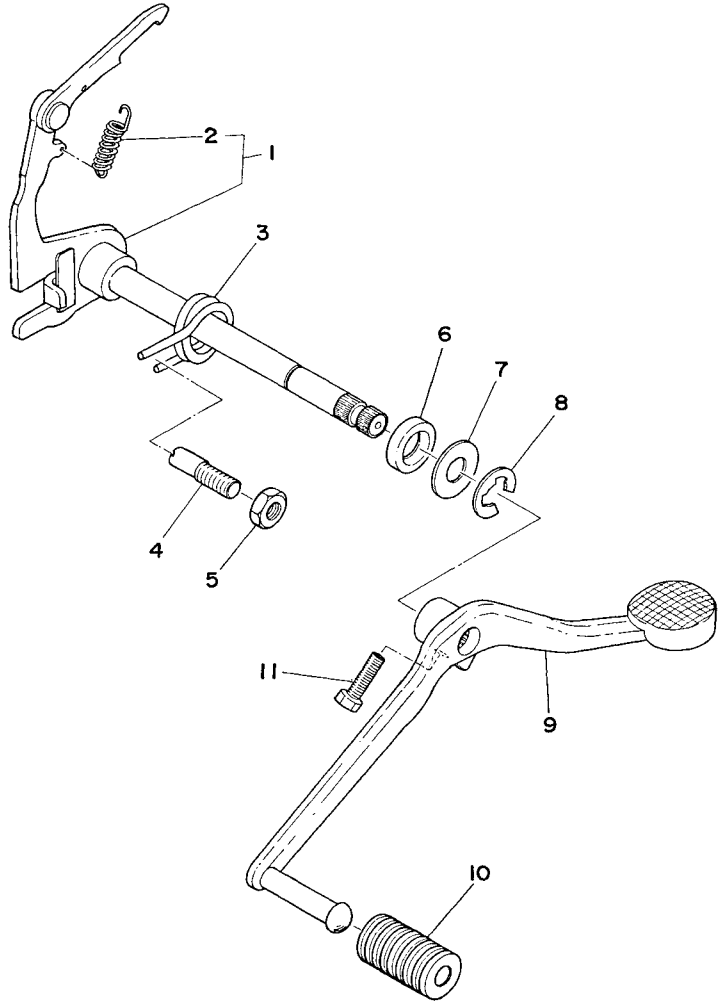
Ref.No.	Part No.	Description	Q'ty		FRANCE	HOLLAND	SWITZERLAND	GERMANY	BELGIUM	SWEDEN	FINLAND	DENMARK	NORWAY	AUSTRIA	ENGLAND	ITALY	Remarks
			FS1	FSIDX													
5-	1	257-17411-01	AXLE, main (13T)	1	1	x	x	x	x								
	2	257-17131-01	GEAR, 3rd pinion (23T)	1	1	x	x	x	x								
	3	93440-16030	CIRCLIP	1	1	x	x	x									
	4	257-17121-00	GEAR, 2nd pinion (18T)	1	1	x	x	x									
	5	257-17141-00	GEAR, 4th pinion (26T)	1	1	x	x	x									
	6	93410-13004	CIRCLIP (S-13)	1	1	x	x	x									
	7	257-15389-00	SEAL, push rod	1	1	x	x	x									
	8	93306-20303	BEARING (B6203Z)	1	1	x	x	x									
	9	257-17471-01	PLATE, bearing cover	1	1	x	x	x									
	10	92501-06012	SCREW, panhead	2	2	x	x	x									
	11	3F0-17420-00	DRIVE AXLE COMP.	1	1	x	x	x									
	12	257-17221-01	GEAR, 2nd wheel (34T)	1	1	x	x	x									
	13	93440-16030	CIRCLIP	1	1	x	x	x									
	14	257-17231-00	GEAR, 3rd wheel (30T)	1	1	x	x	x									
	15	257-17211-00	GEAR, 1st wheel (40T)	1	1	x	x	x									
	16	257-17219-00	SHIM (13.2-24-0.4)	1	1	x	x	x									
	17	93410-13004	CIRCLIP (S-13)	1	1	x	x	x									
	18	132-15653-00-10	SHIM (13.3-22-1.0)														
		132-15653-00-12	SHIM (13.3-22-1.2)														
		132-15653-00-14	SHIM (13.3-22-1.4)														
	19	90206-15021	WASHER, wave (137-15643-00)	1	1	x	x	x									
	20	257-15651-01	GEAR, kick idle (26T)	1	1	x	x	x									
	21	90201-13202	WASHER, plate (201-15653-00)	1	1	x	x	x									
	22	93410-13004	CIRCLIP (S-13)	1	1	x	x	x									
	23	93306-30301	BEARING (B6303)	1	1	x	x	x									
	24	93102-17187	OIL SEAL (SD-17-40-5)	1	1	x	x	x									
	25	347-17461-00	SPROCKET, drive (10T)	1	1	x			x								
		257-17461-21	SPROCKET, drive (12T)		1				x								
		257-17461-41	SPROCKET, drive (14T)		1												
	26	93410-16007	CIRCLIP (S-16)	1	1	x	x	x									

Fig. 6 SHIFTER 1



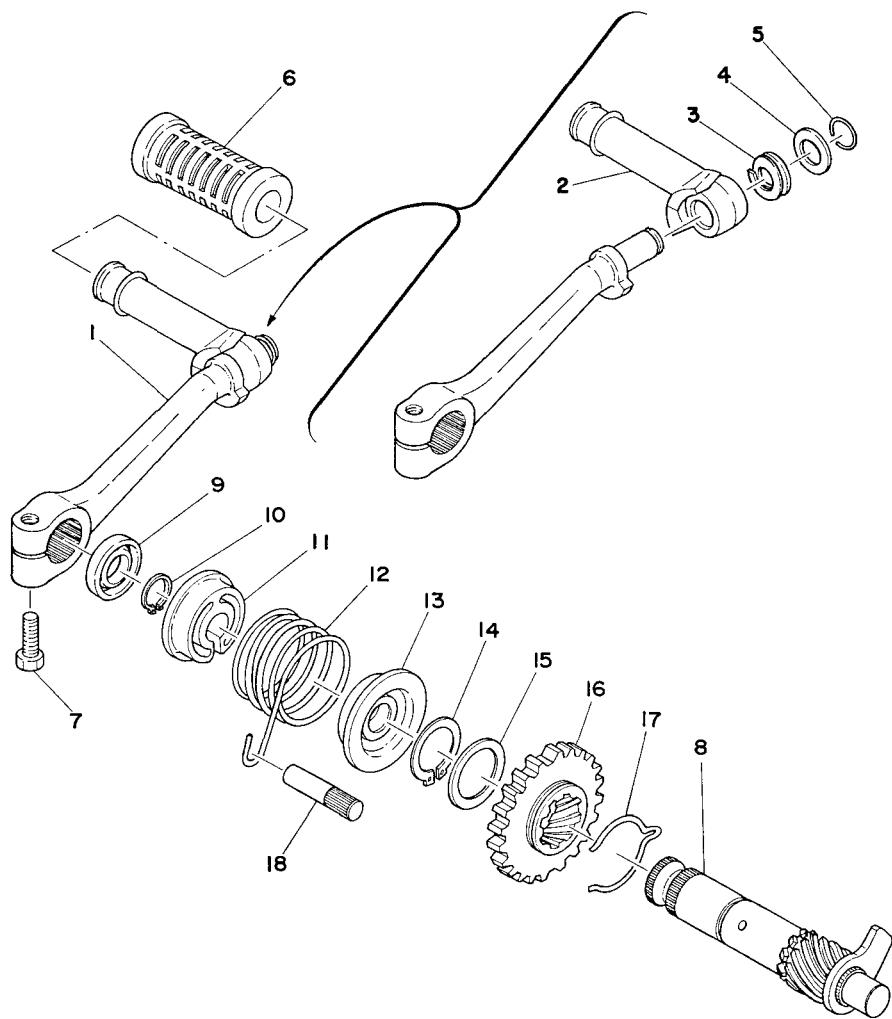
Ref.No.	Part No.	Description	Qty	Remarks
6- 1	257-18534-00	BAR, shift fork guide	1	
2	259-18511-01	FORK, shift 1	1	
3	257-18512-01	FORK, shift 2	1	
4	90250-06013	PIN, straight (257-18552-00)	2	
5	93430-08006	CIRCLIP (E-8)	3	
6	90334-10006	PLUG, straight (150-18328-00)	1	
7	257-18540-60	SHIFT CAM ASS'Y	1	
8	93605-20043	. PIN, dowel (5-19.8)	1	
9	93440-32017	. CIRCLIP (32 ϕ special)	1	
10	93604-22050	. PIN, dowel (4-21.8)	4	
11	91609-40016	. PIN, spring	1	
12	164-18561-00	. PLATE, side	1	
13	98501-05012	. SCREW, panhead	1	
14	92901-05100	. WASHER, spring	1	
15	136-18542-00	. POINT, neutral	1	
16	90338-26008	PLUG (257-18589-00)	1	
17	132-18140-01	STOPPER LEVER ASS'Y	1	
18	90109-06001	BOLT (132-18177-00)	1	
19	90506-09112	SPRING, tension	1	
20	257-18531-00	BAR, shift fork guide	1	

Fig.7 SHIFTER 2



Ref.No.	Part No.	Description	Q'ty	Remarks
7- 1	257-18101-01	CHANGE SHAFT ASS'Y	1	
2	90506-09009	. SPRING, tension (132-18123-00)	1	
3	90508-32207	SPRING, torsion (132-18124-00)	1	
4	90149-08094	SCREW	1	
5	95301-08600	NUT, hexagon	1	
6	93101-12004	OIL SEAL (S-12-22-5)	1	
7	90201-12575	WASHER, plate (12.1-26-1.6)	1	
8	93430-10016	CIRCLIP (E-10)	1	
9	257-18111-00-91	PEDAL, change	1	
10	132-18113-01	COVER, change pedal	1	
11	97321-06020	BOLT, hexagon	1	

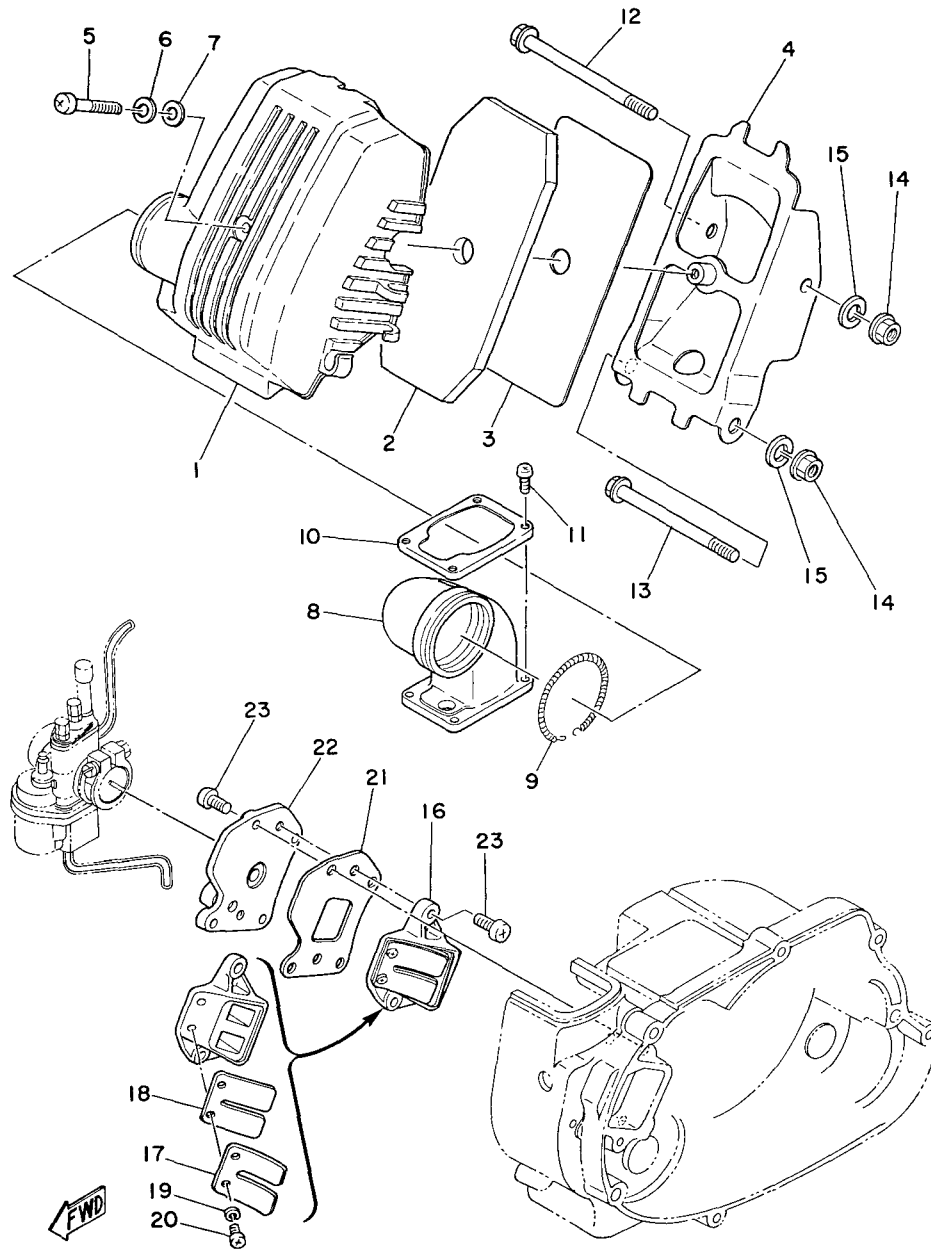
Fig. 8 KICK STARTER



Ref.No.	Part No.	Description	Qty	Remarks
8- 1	257-15610-02-91	KICK CRANK ASS'Y	1	
2	122-15612-02	. LEVER, kick	1	
3	90504-18005	. SPRING, compression (132-15625-01)	1	
4	90209-10108	. WASHER (132-15616-01)	1	
5	93440-10028	. CIRCLIP (132-15617-00)	1	
6	156-15618-01	COVER, kick lever	1	
7	97311-06025	BOLT, hexagon	1	
8	305-15660-02	KICK AXLE ASS'Y	1	
9	93109-15001	OIL SEAL (SDO-15-26-6)	1	
10	93410-15005	CIRCLIP (S-15)	1	
11	132-15676-01	COVER, kick spring	1	
12	90508-26136	SPRING, torsion (304-15665-00)	1	
13	132-15664-01	GUIDE, kick spring	1	
14	93410-25017	CIRCLIP (S-25)	1	
15	117-15644-00	SHIM (25.1-32-1)	1	
16	305-15641-00	GEAR, kick (26T)	1	
17	90468-26048	CLIP (315-15687-00)	1	
18	257-15668-00	STOPPER, kick spring	1	

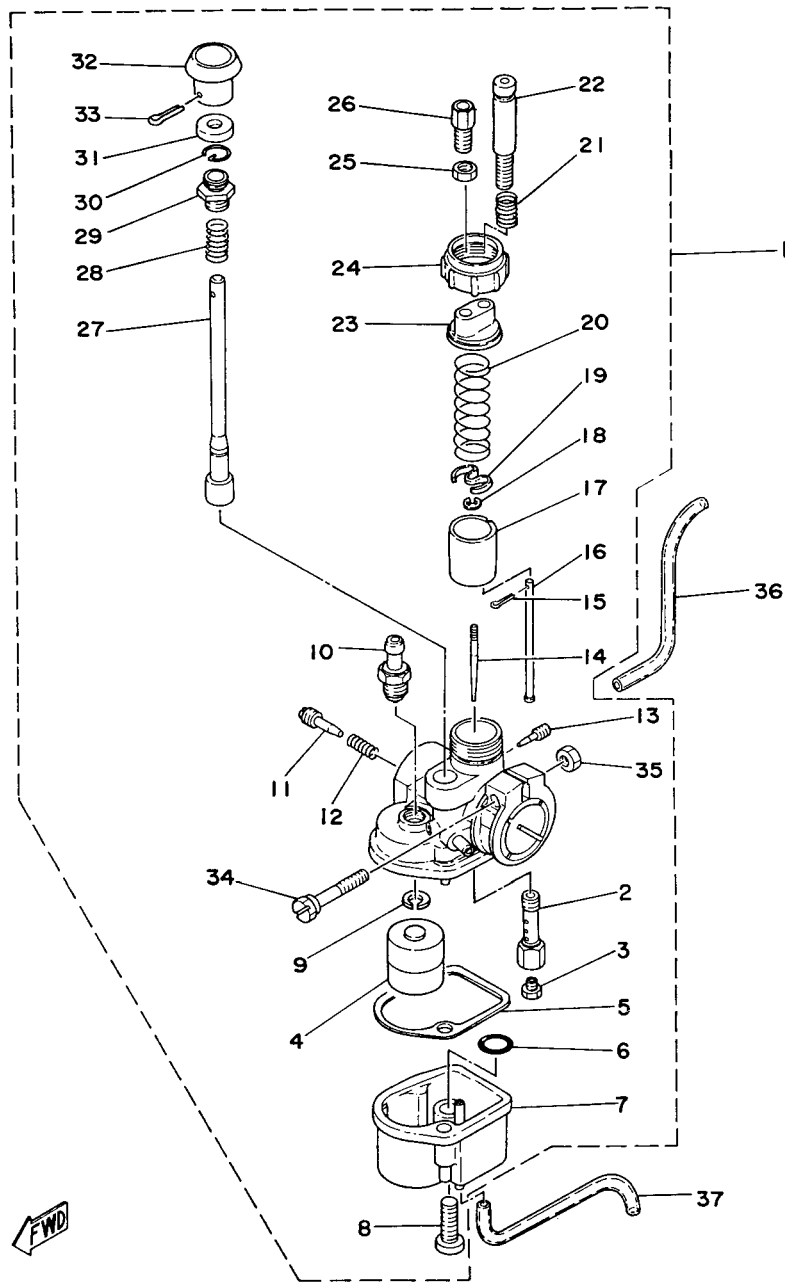
FWD

Fig. 9 INTAKE



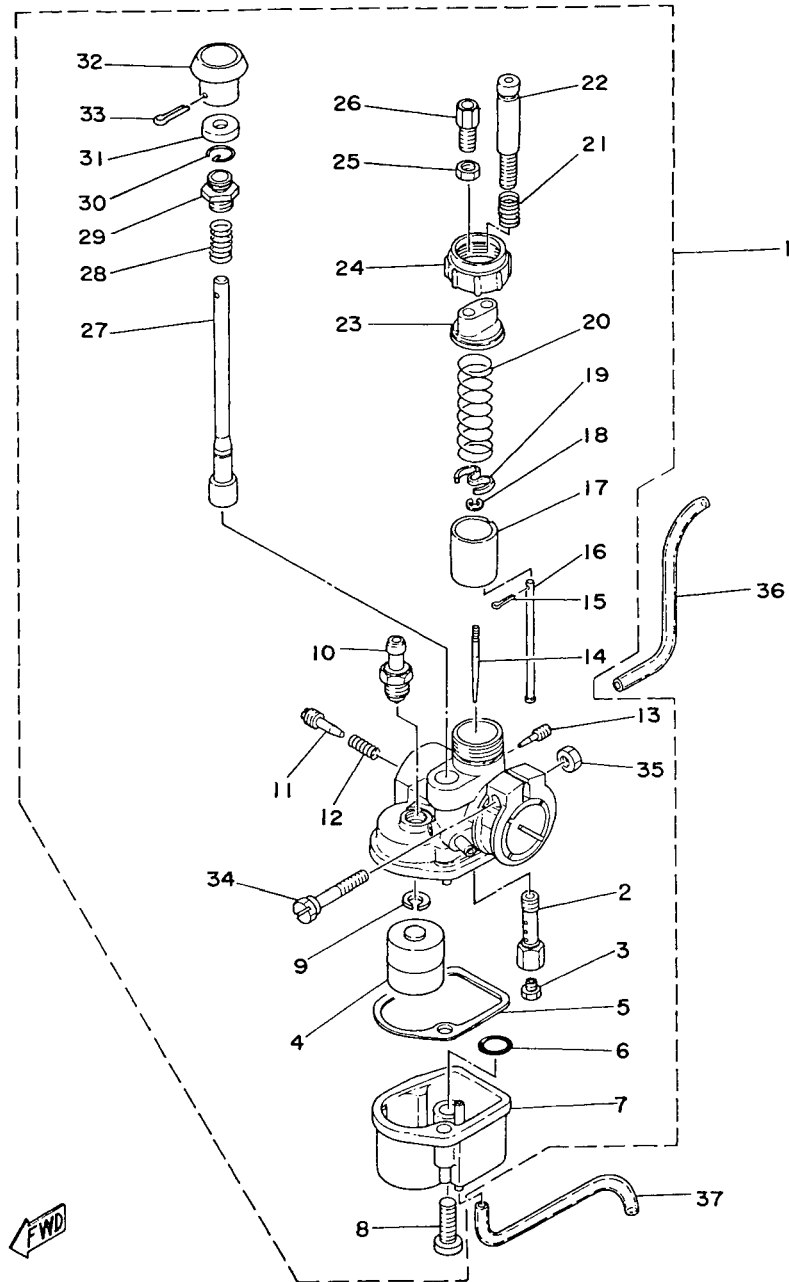
Ref.No.	Part No.	Description	Q'ty		FRANCE	HOLLAND	W. GERMANY	SWITZERLAND	BELGIUM	SWEDEN	FINLAND	DENMARK	AUSTRIA	ENGLAND	ITALY	Remarks
			FS1	FSIDX												
9- 1	3E8-14411-00	CASE, air cleaner	1	1												
2	3E8-14451-00	ELEMENT, air cleaner	1	1												
3	3E8-14473-00	GUIDE	1	1												
4	3E8-14498-00	STAY, air cleaner case	1	1												
5	92501-06045	SCREW, panhead	1	1												
6	92901-06100	WASHER, spring	1	1												
7	92901-06600	WASHER, plate	1	1												
8	3F2-14453-00	JOINT, air cleaner	1	1												
	3E8-14453-00	JOINT, air cleaner	1	1												
9	90506-06106	SPRING	1	1												
10	3E8-14417-00	COVER, joint	1	1												
11	98501-04010	SCREW, panhead	4	4												
12	95821-08090	BOLT, flange	1	1												
13	95821-08100	BOLT, flange	1	1												
14	95701-08100	NUT, flange	2	2												
15	92901-08100	WASHER, spring	2	2												
16	378-13610-61	REED VALVE ASS'Y	1	1												
	474-13610-01	REED VALVE ASS'Y	1	1												
17	314-13616-01	STOPPER, reed valve	1	1												
18	314-13613-00	REED, valve	1	1												
19	92901-03100	WASHER, spring	2	2												
20	98512-03008	SCREW, panhead	2	2												
21	378-13621-60	PACKING, valve seat	1	1												
22	470-13505-60	JOINT COMP.	1	1												
	1Y2-13505-00	JOINT COMP.	1	1												
	3F5-13505-00	JOINT COMP.	1	1												
23	92501-06015	SCREW, panhead	6	6												

Fig. 10 CARBURETOR



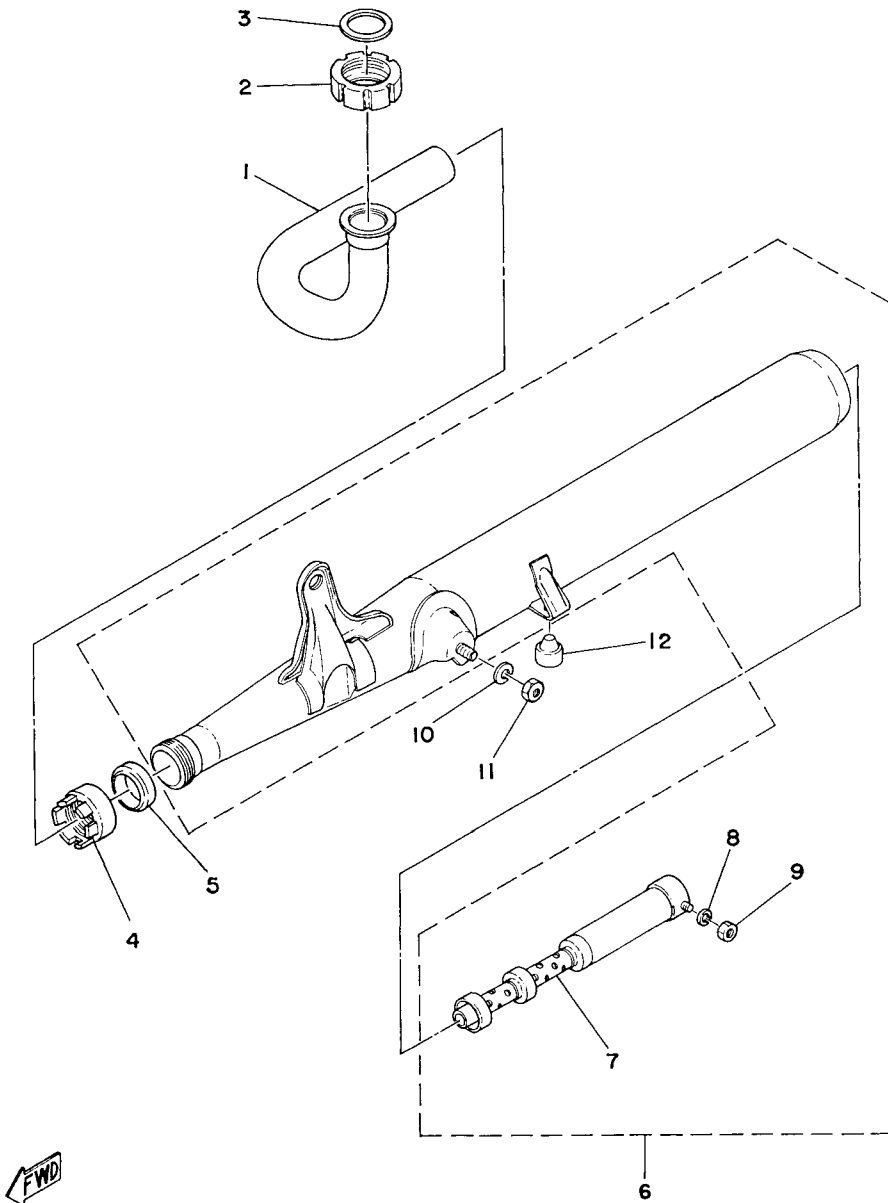
Ref.No.	Part No.	Description	Q'ty		FRANCE	HOLLAND	W. GERMANY	SWITZERLAND	BELGIUM	SWEDEN	FINLAND	DENMARK	NORWAY	AUSTRIA	ENGLAND	ITALY	Remarks	
			FS1	FS1DX														
10- 1	3F2-14101-00	CARBURETOR ASS'Y		1		x												
	3F5-14101-00	CARBURETOR ASS'Y		1					x									
	3F0-14101-00	CARBURETOR ASS'Y	1	1						x								
	3F4-14101-00	CARBURETOR ASS'Y		1										x				
2	127-14141-14	. NOZZLE, main (E-4)	1	1		x			x					x				
	127-14141-16	. NOZZLE, main (E-6)		1					x									
3	127-14143-32	. JET, main (#160)		U.R. 1													STD	
	127-14143-34	. JET, amin (#170)					x								x			STD
	127-14143-36	. JET, main (#180)																
	127-14143-24	. JET, main (#120)		U.R. 1					x									STD
	127-14143-25	. JET, main (#125)																
	127-14143-26	. JET, main (#130)																
	127-14143-22	. JET, main (#110)		U.R. 1														STD
	127-14143-23	. JET, main (#115)													x			
	127-14143-24	. JET, main (#120)																
4	470-14185-00	. FLOAT	1	1		x	x	x						x				
5	260-14184-00	. GASKET, float chamber	1	1		x	x	x						x				
6	93220-08002	. O-RING	1	1		x	x	x						x				
7	260-14181-10	. BODY, float chamber	1	1		x	x	x						x				
8	92501-06018	. SCREW, panhead	1	1		x	x	x						x				
9	363-14137-00	. CLIP	1	1					x					x				
10	260-14190-12	. VALVE SEAT ASS'Y (#1.2)	1	1		x	x	x						x				
11	127-14123-00	. SCREW, air adjusting	1	1		x	x	x						x				
12	127-14134-00	. SPRING, air adjusting	1	1		x	x	x						x				
13	260-14142-25	. JET, pilot (#25)	1	1		x	x	x						x				
14	353-14116-02	. NEEDLE (3E2-2)		1		x								x				
	134-14116-03	. NEEDLE (3D3-2)		1					x									
	348-14116-03	. NEEDLE (3F3-3)		1						x								
15	91401-12010	. PIN, cotter	1	1		x	x	x						x				
16	405-14114-00	. BAR, throttle	1	1		x	x	x						x				
17	470-14112-10	. VALVE, throttle (#1.0)		1		x								x				
	283-14112-25	. VALVE, throttle (#2.5)		1					x	x								
18	127-14137-00	. CLIP	1	1		x	x	x						x				

Fig. 10 CARBURETOR



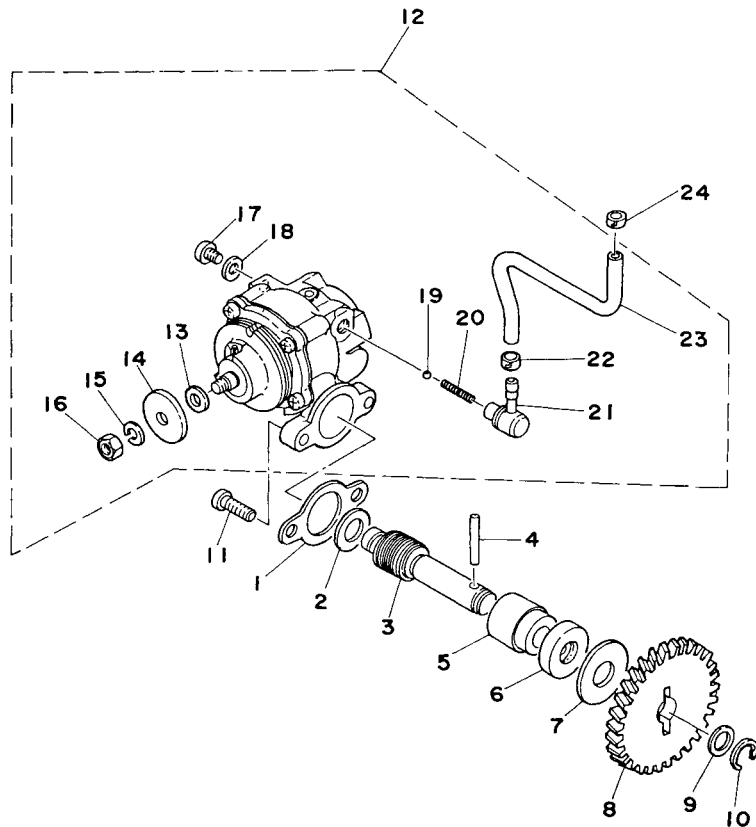
Ref.No.	Part No.	Description	Q'ty		FRANCE	HOLLAND	W. GERMANY	SWITZERLAND	BELGIUM	FINLAND	DENMARK	NORWAY	AUSTRIA	ENGLAND	ITALY	Remarks
			FS1	FS1DX												
10-19	287-14136-00	. SEAT, spring	1	1			x	x	x							
20	127-14131-00	. SPRING, throttle valve	1	1			x	x	x							
21	127-14133-00	. SPRING, throttle stop	1	1			x	x	x							
22	395-14121-00	. SCREW, throttle	1	1			x	x	x							
23	3F5-14158-00	. TOP, mixing chamber		1			x	x								
	180-14158-01	. TOP, mixing chamber	1	1					x							
24	180-14168-00	. CAP, mixing chamber	1	1			x	x	x							
25	127-14161-00	. NUT, wire adjusting	1	1					x							
26	127-14124-23	. SCREW, wire adjusting	1	1					x							
27	395-14171-00	. PLUNGER, starter	1	1			x	x	x							
28	156-14135-00	. SPRING, plunger	1	1			x	x	x							
29	152-14174-00	. CAP, plunger	1	1			x	x	x							
30	353-14138-00	. CLIP, plunger	1	1			x	x	x							
31	637-14173-00	. COVER, plunger cap	1	1			x	x	x							
32	304-14261-00	. HOLDER	1	1			x	x	x							
33	91401-16015	. PIN, cotter	1	1			x	x	x							
34	127-14125-01	. SCREW, body fitting	1	1			x	x	x							
35	95302-05600	. NUT, hexagon	1	1			x	x	x							
36	90445-05015	HOSE (257-14197-00)	1	1			x	x	x							2.5-200
37	90445-05013	HOSE (137-14197-00)	1	1			x	x	x							2.5-150

Fig. 11 EXHAUST



Ref.No.	Part No.	Description	Q'ty		FRANCE	HOLLAND	W. GERMANY	SWITZERLAND	BELGIUM	SWEDEN	FINLAND	DENMARK	NORWAY	AUSTRIA	ENGLAND	ITALY	Remarks
			FS1	FS1DX													
11- 1	348-14611-00	PIPE, exhaust	1	1					X	X	X						
2	122-14612-02	NUT, ring	1	1					X	X	X						
3	132-14613-00	GASKET, exhaust	1	1					X	X	X						
4	1J5-14713-00	NUT, muffler joint	1	1					X	X	X						
5	1J5-14714-00	GASKET, muffler joint	1	1					X	X	X						
6	3F2-14710-00	MUFFLER ASS'Y		1					X								
	3F5-14710-00	MUFFLER ASS'Y		1						X							
	1X5-14710-00	MUFFLER ASS'Y	1	1						X							
7	296-14753-02	. SILENCER	1	1					X	X							
	348-14753-00	. SILENCER		1						X							
8	92901-05100	. WASHER, spring	1	1					X	X	X						
9	95301-05600	. NUT, hexagon	1	1					X	X	X						
10	92901-08100	WASHER, spring	1	1					X	X	X						
11	95301-08600	NUT, hexagon	1	1					X	X	X						
12	1M3-27114-00	STOPPER, main stand	1	1					X	X	X						

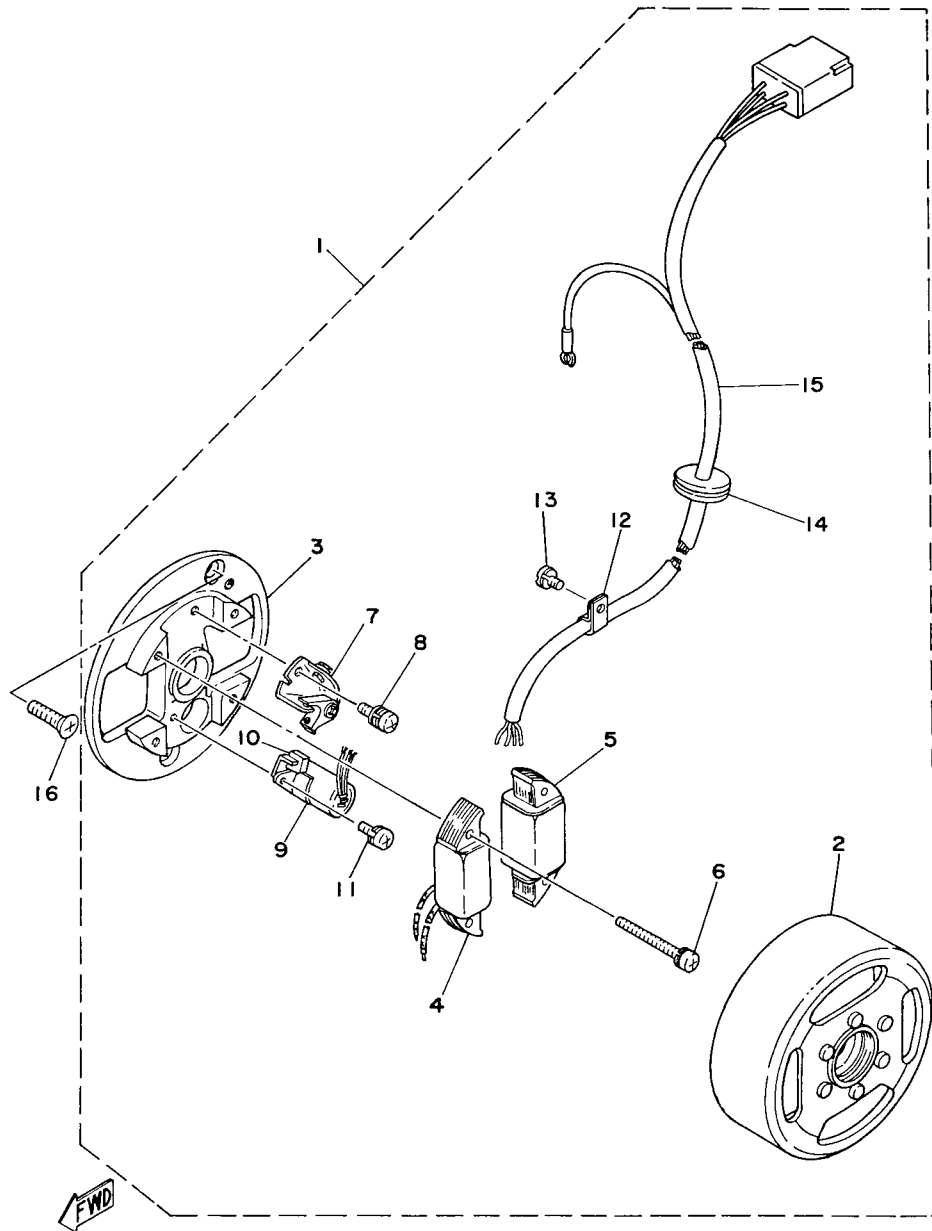
Fig. 12 OIL PUMP



Ref.No.	Part No.	Description	Q'ty	FRANCE	HOLLAND	WEST GERMANY	SWITZERLAND	BELGIUM	SWEDEN	FINLAND	DENMARK	AUSTRIA	ENGLAND	ITALY	Remarks
				FS1	FS1DX										
12- 1	126-13116-00	GASKET, pump case	1			X	X								
2	90201-08624	WASHER, plate	1			X	X								
3	257-13175-00	SHAFT, worm	1			X	X								
4	93603-22028	PIN, dowel	1			X	X								
5	137-13176-00	METAL, worm shaft outer	1			X	X								
6	93101-10001	OIL SEAL (S-10-21-5)	1			X	X								
7	90201-10138	WASHER, plate (257-13177-00)	1			X	X								
8	257-13178-00	GEAR, drive (30T)	1			X	X								
9	90201-10135	WASHER, plate (102-18138-00)	1			X	X								
10	93430-08006	CIRCLIP (8ø special)	1			X	X								
11	98501-05016	SCREW, panhead	2			X	X								
12	3F2-13100-00	OIL PUMP ASS'Y	1			X	X								
13	137-13137-00-10	. SHIM, plunger (5.8-10-0.1)	U.R.			X	X								
14	137-13138-01	. PLATE, adjusting	1			X	X								
15	92901-05100	. WASHER, spring	1			X	X								
16	95301-05600	. NUT, hexagon	1			X	X								
17	98901-04008	. SCREW, bind	1			X	X								
18	90430-04004	. GASKET (137-13187-00)	1			X	X								
19	93505-32002	. BALL (5/32 inch)	1			X	X								
20	90501-02217	. SPRING, check ball	1			X	X								
21	353-13552-01	. NOZZLE	1			X	X								
22	90468-02033	. CLIP (214-13164-00)	1			X	X								
23	90445-05019	. HOSE (395-13161-00)	1			X	X								
24	90468-02033	CLIP (214-13164-00)	1			X	X								

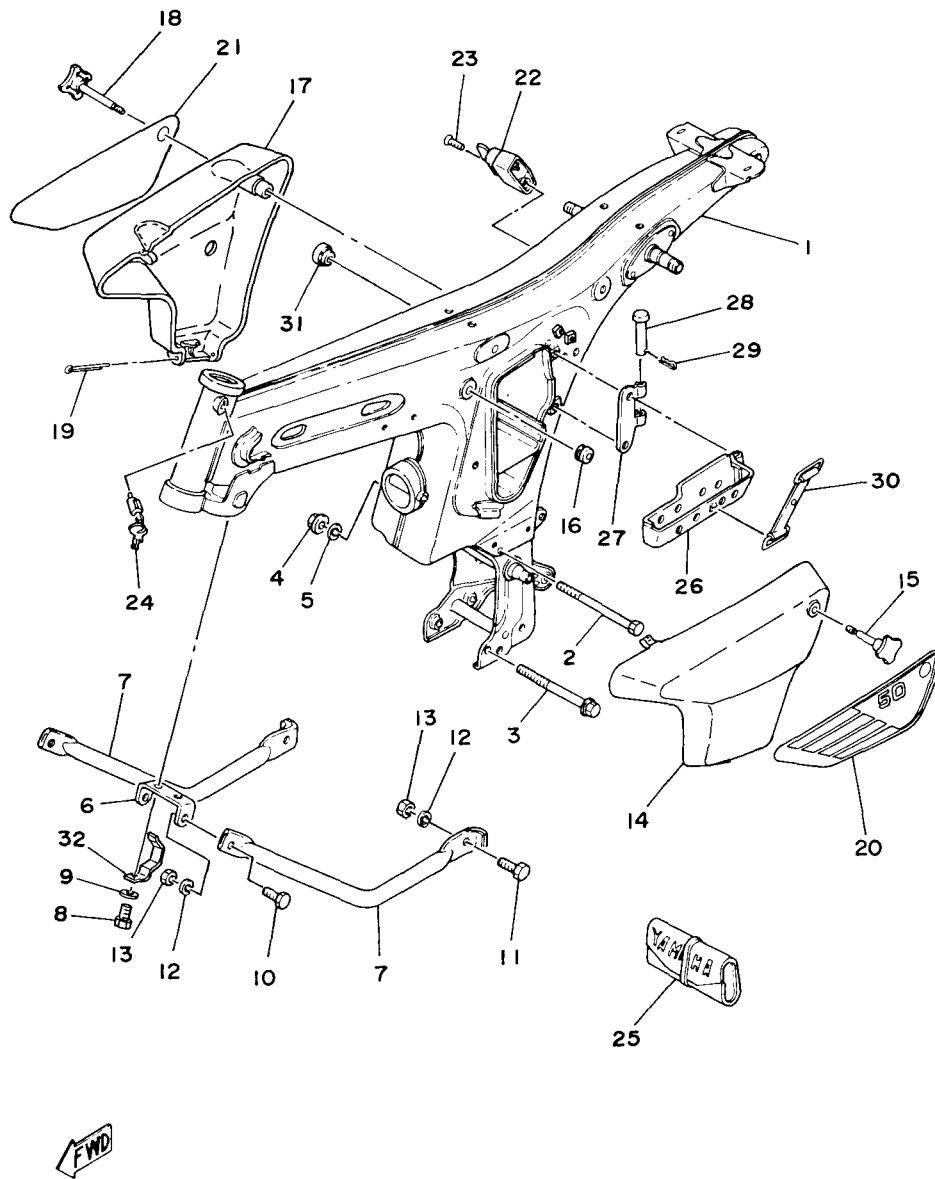


Fig. 13 FLYWHEEL MAGNETO



Ref.No.	Part No.	Description	Q'ty	FS1 FSIDX											Remarks			
				FRANCE	HOLLAND	SWITZERLAND	W. GERMANY	BELGIUM	SWEDEN	FINLAND	DENMARK	NORWAY	AUSTRIA	ITALY		ENGLAND		
13- 1	3F6-81300-20	FLYWHEEL MAGNETO ASS'Y	1			x	x											
	1X6-81300-20	FLYWHEEL MAGNETO ASS'Y	1	1					x									
	3F4-81300-20	FLYWHEEL MAGNETO ASS'Y	1											x				
2	3F6-81350-20	. ROTOR ASS'Y	1			x	x							x				
	1X6-81350-20	. ROTOR ASS'Y	1	1					x									
3	257-81309-21	. BASE, magneto	1	1		x	x	x						x				
4	2M4-81312-20	. COIL, source	1			x	x											
	207-81312-21	. COIL, source	1	1					x									
	3F4-81312-20	. COIL, source	1											x				
5	2M4-81313-20	. COIL, lighting	1			x	x											
	1X6-81313-20	. COIL, lighting	1	1					x									
	2M7-81313-20	. COIL, lighting	1															
6	110-81348-21	. SCREW (4-25)	4	4		x	x	x						x				
7	2A6-81321-20	. CONTACT BREAKER ASS'Y	1	1		x	x	x						x				
8	110-81346-21	. SCREW (4-10)	1	1		x	x	x						x				
9	1K8-81325-20	. CONDENSER	1	1		x	x	x						x				
10	116-81331-20	. LUBRICATOR	1	1		x	x	x						x				
11	110-81347-21	. SCREW (4-10)	1	1		x	x	x						x				
12	104-81328-20	. CLAMP, lead	1	1		x	x	x						x				
13	110-81345-21	. SCREW (4-6)	1	1		x	x	x						x				
14	90480-16110	. GROMMET (164-82597-00)	1	1		x	x	x						x				
15	3F6-81315-20	. LEAD WIRE ASS'Y	1			x	x											
	257-81315-20	. LEAD WIRE ASS'Y	1	1					x									
	3F4-81315-20	. LEAD WIRE ASS'Y	1											x				
16	98701-05015	SCREW, flathead	2	2		x	x	x						x				

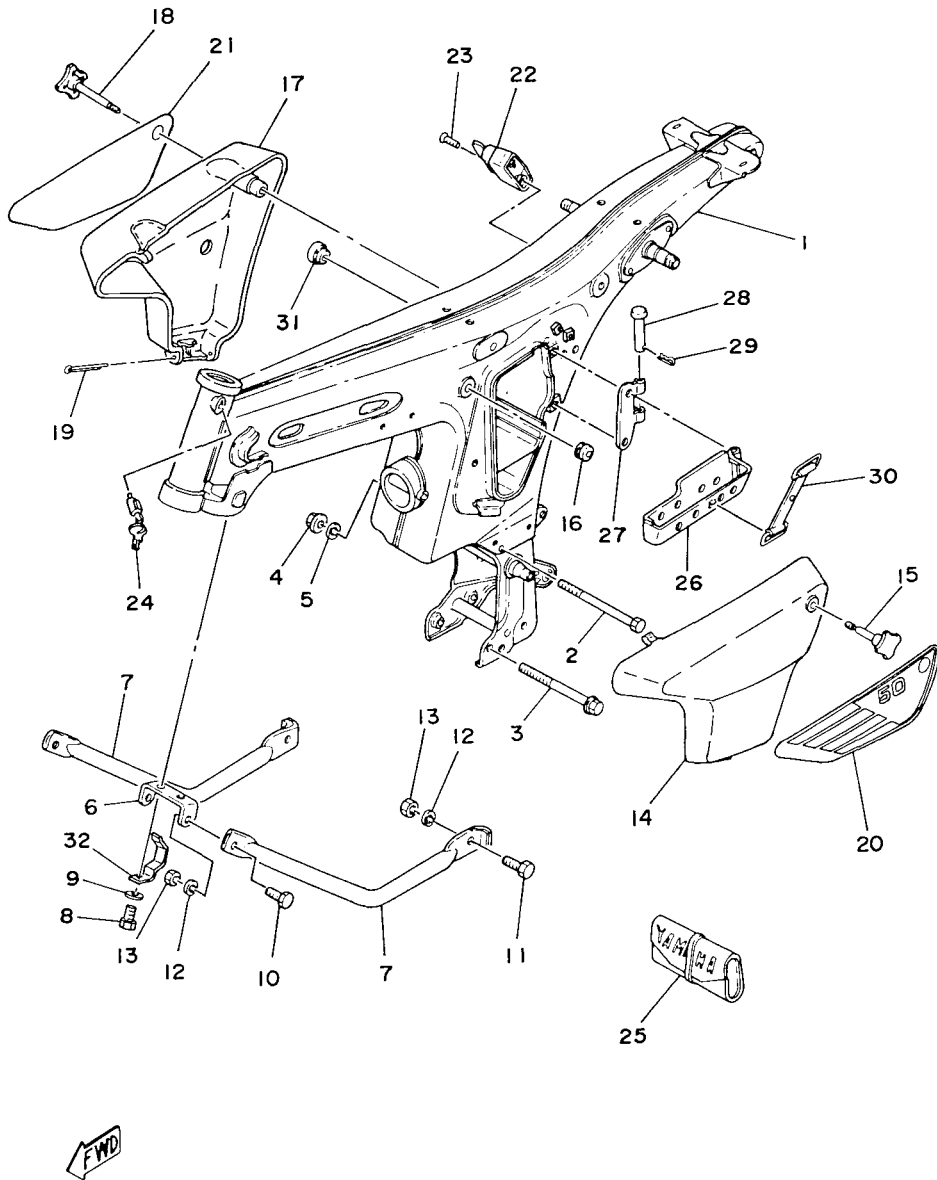
Fig. 14 FRAME - SIDE COVER



Ref.No.	Part No.	Description	Q'ty	Region											Remarks	
				FRANCE	HOLLAND	W. GERMANY	SWITZERLAND	BELGIUM	FINLAND	SWEDEN	DENMARK	NORWAY	AUSTRIA	ENGLAND		ITALY
14-1	468-21110-43-33	FRAME COMP.	1		x											Yamaha Black
	469-21110-22-33	FRAME COMP.	1				x									Yamaha Black
	473-21110-03-33	FRAME COMP.	1 1					x	x							Yamaha Black
2	90101-08285	BOLT, hexagon	1 1			x	x	x								
3	95821-08120	BOLT, flange	1 1			x	x	x								
4	95701-08100	NUT, flange	1 1			x	x	x								
5	92901-08100	WASHER, spring	1 1			x	x	x								
6	596-21158-00-33	BRACKET, down tube	1 1			x	x	x								Yamaha Black
7	596-21191-00-33	DOWN TUBE	2 2			x	x	x								Yamaha Black
8	97301-06012	BOLT, hexagon	2 2			x	x	x								
9	92901-06100	WASHER, spring	2 2			x	x	x								
10	97301-08016	BOLT, hexagon	2 2			x	x	x								
11	97301-08030	BOLT, hexagon	2 2			x	x	x								
12	92901-08100	WASHER, spring	4 4			x	x	x								
13	95301-08600	NUT, hexagon	4 4			x	x	x								
14	3E8-21711-00	COVER, side left	1 1			x	x	x								
15	1Y1-21714-00	KNOB, side cover left	1 1			x	x	x								
16	90480-01141	DAMPER (371-21747-00)	2 2			x	x	x								
17	3E8-21721-00	COVER, side right	1 1					x								
	3F2-21721-00	COVER, side right	1			x	x									
18	1Y1-21724-00	KNOB, side cover right	1 1			x	x	x								
19	91401-50085	PIN, cotter	1 1			x	x	x								
20	3E8-21781-00	EMBLEM, side cover left	1 1			x	x	x								Yamaha Black
	3E8-21781-10	EMBLEM, side cover left	1 1			x	x	x								Clean White
	3E8-21781-20	EMBLEM, side cover left	1 1			x	x	x								Carmine Red
	3E8-21781-30	EMBLEM, side cover left	1 1			x	x	x								French Blue
21	3E8-21782-00	EMBLEM, side cover right	1 1			x	x	x								Yamaha Black
	3E8-21782-10	EMBLEM, side cover right	1 1			x	x	x								Clean White
	3E8-21782-20	EMBLEM, side cover right	1 1			x	x	x								Carmine Red
	3E8-21782-30	EMBLEM, side cover right	1 1			x	x	x								French Blue
22	1J5-21308-00	HANGER, helmet	1 1			x	x	x								
23	92701-06030	SCREW, flathead	1 1			x	x	x								
24	*	STEERING LOCK ASS'Y	1 1			x		x								

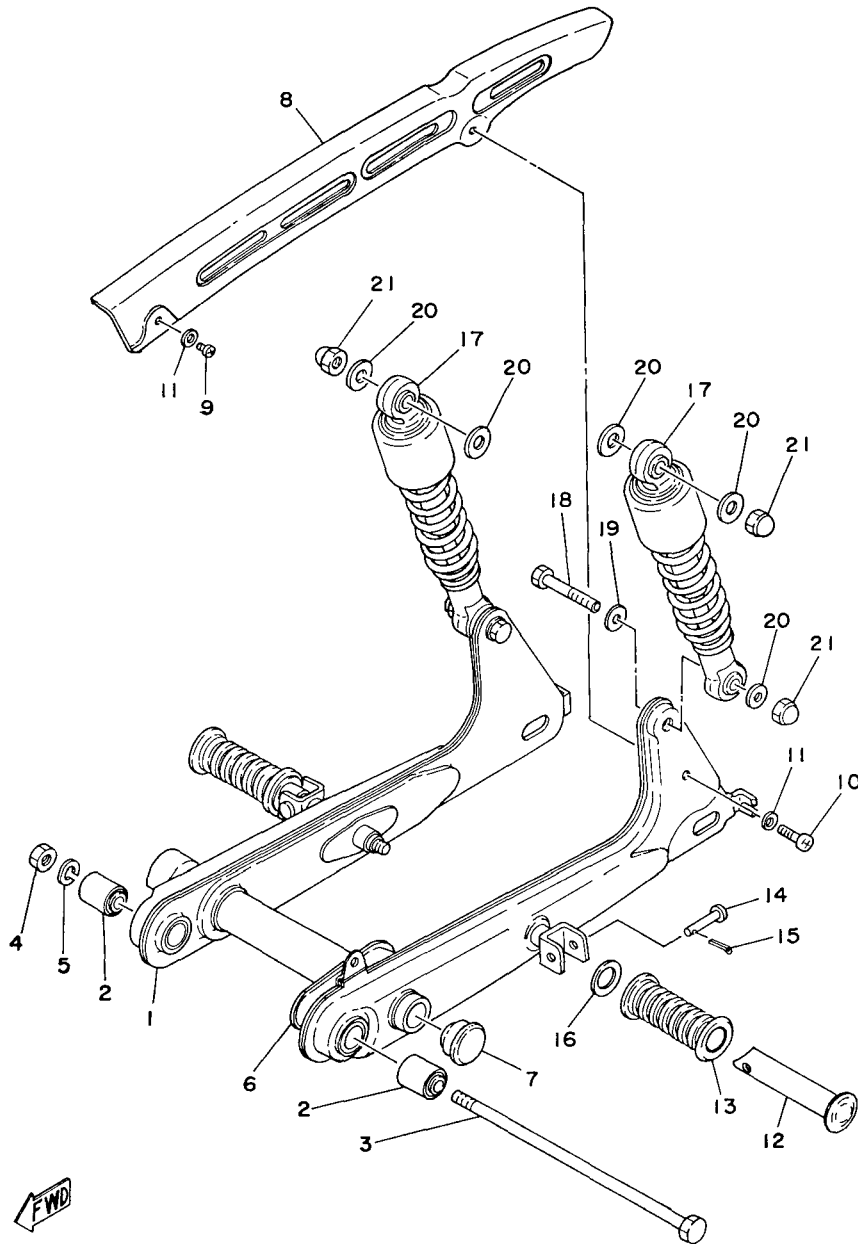
*; The parts marked with * in the part No. column are not supplied with by Yamaha, those have to be found locally.

Fig. 14 FRAME · SIDE COVER



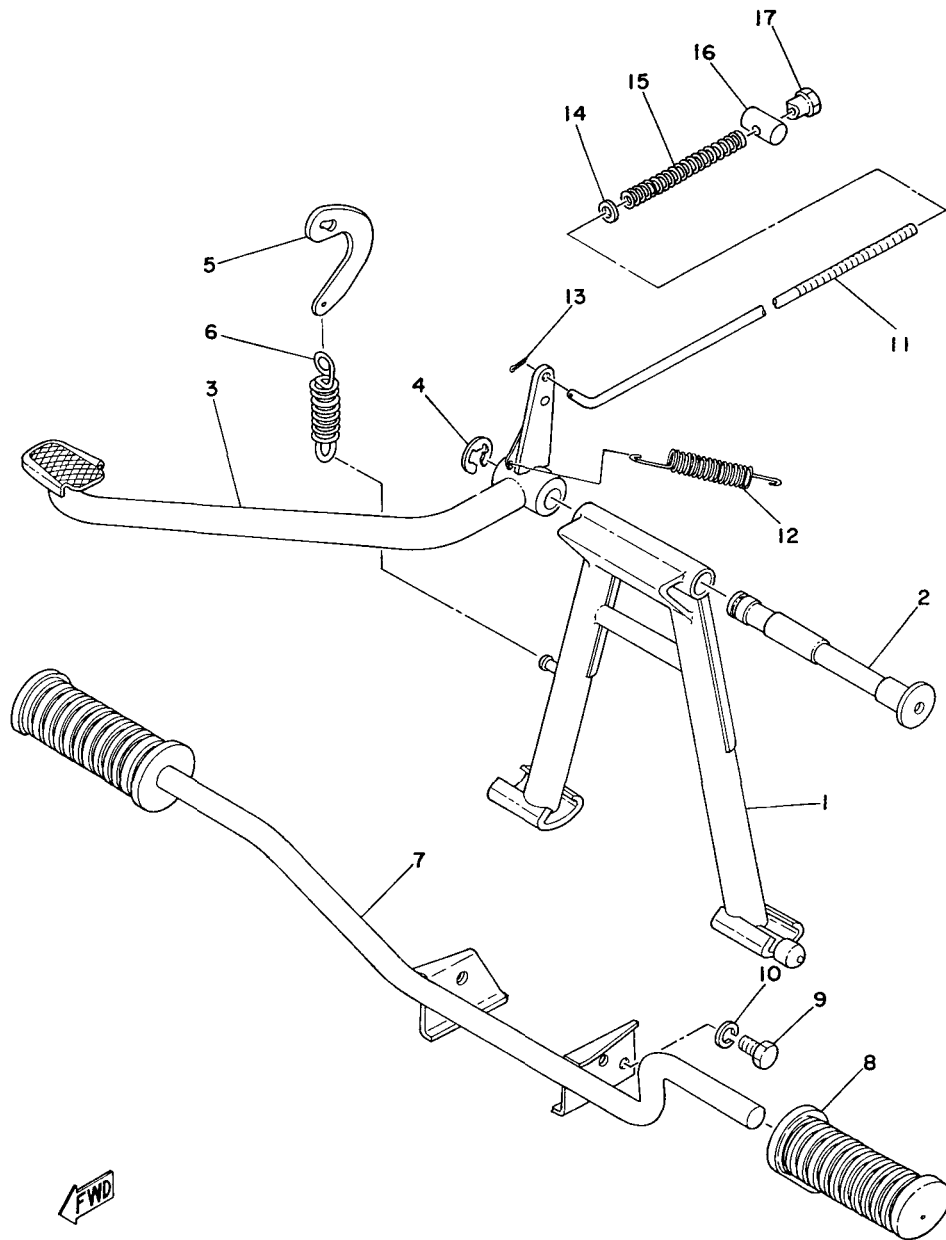
Ref.No.	Part No.	Description	Q'ty		FRANCE	HOLLAND	SWITZERLAND	BELGIUM	SWEDEN	FINLAND	DENMARK	NORWAY	AUSTRIA	ENGLAND	ITALY	Remarks
			FS1	FSIDX												
14-25	260-28100-10	TOOL ASS'Y	1	1												
26	1Y1-21245-00	BOX, tool	1	1			X	X	X							
27	1Y1-21286-00	HINGE, tool box	1	1			X	X	X							
28	91701-06065	PIN, clevis	1	1			X	X	X							
29	90468-12007	CLIP (102-25375-00)	1	1			X	X	X							
30	133-82131-00	BAND, battery	1	1			X	X	X							
31	90480-13203	GROMMET	1	1			X	X	X							
32	3F2-21288-00	GUIDE, wire		1			X	X								

Fig. 15 REAR ARM · REAR CUSHION · CHAIN CASE



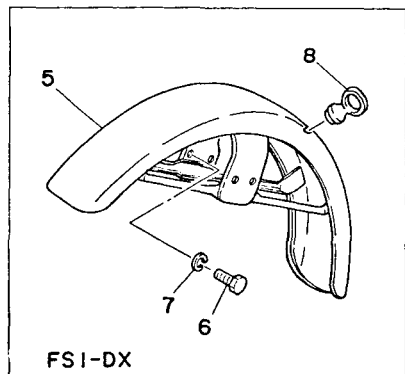
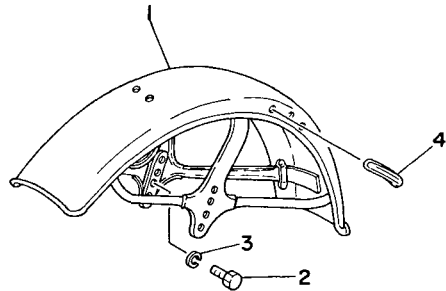
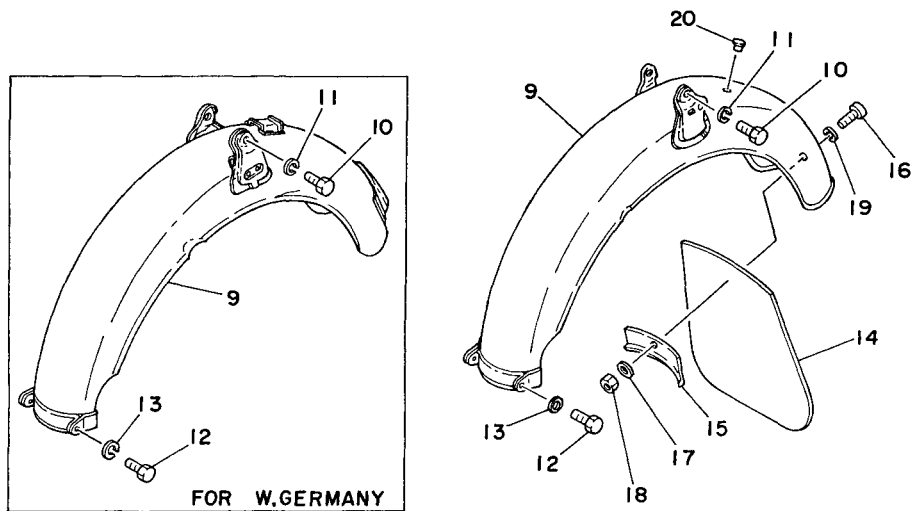
Ref.No.	Part No.	Description	Q'ty		FRANCE	HOLLAND	W. GERMANY	SWITZERLAND	BELGIUM	FINLAND	DENMARK	NORWAY	AUSTRIA	ITALY	ENGLAND	Remarks
			FS1	FSIDX												
15- 1	1X6-22110-00-33	REAR ARM COMP.	1	1						x						Yamaha Black
	1X9-22110-00-33	REAR ARM COMP.		1						x						Yamaha Black
	1Y2-22110-00-33	REAR ARM COMP.		1			x									
2	102-22123-00	BUSHING, rear arm	2	2		x		x	x			x				
3	109-22141-00	SHAFT, pivot	1	1		x		x	x			x				
4	90170-10159	NUT, hexagon	1	1		x		x	x			x				
5	92901-10100	WASHER, spring		1		x										
6	122-22151-00	SEAL, guard	1	1		x		x	x			x				
7	180-22117-00	CAP, rear arm	2	2		x		x	x			x				
8	468-22311-40-35	CHAIN CASE, half		1		x										Silver
	468-22311-40-93	CHAIN CASE, half		1		x										Alternated Parts Chrome Plated
	260-22311-00-35	CHAIN CASE, half	1	1				x	x			x				Silver
	260-22311-00-93	CHAIN CASE, half	1	1				x	x			x				Alternated Parts Chrome Plated
9	98501-05008	SCREW, panhead	1	1		x		x	x			x				
10	98501-05020	SCREW, panhead	1	1				x	x			x				
	98501-05015	SCREW, panhead		1		x										
11	92901-05600	WASHER, plate	2	2		x		x	x			x				
12	120-27431-00	ARM, rear footrest		2		x		x								
13	120-27433-00	COVER, rear footrest		2		x		x								
14	90240-06009	PIN, with hole		2		x		x								
15	91401-16015	PIN, cotter		2		x		x								
16	90201-20279	WASHER, plate		2		x		x								
17	1Y2-22210-20-93	REAR CUSHION ASS'Y		2		x										
	1Y1-22210-20-93	REAR CUSHION ASS'Y		2				x	x			x				
18	90101-10255	BOLT, hexagon	2	2		x		x	x			x				
19	92901-10200	WASHER, plain	2	2		x		x	x			x				
20	90201-10140	WASHER, plate	6	6		x		x	x			x				
21	90176-10013	NUT, cap	4	4		x		x	x			x				

Fig. 16 STAND · FOOTREST · BRAKE PEDAL



Ref.No.	Part No.	Description	Q'ty		FRANCE	HOLLAND	W. GERMANY	SWITZERLAND	BELGIUM	SWEDEN	FINLAND	DENMARK	NORWAY	AUSTRIA	ENGLAND	ITALY	Remarks
			FS1	FSIDX													
16- 1	207-27111-00	STAND, main	1	1													
2	122-27112-00	SHAFT, main stand	1	1													
3	394-27211-00-91	PEDAL, brake	1	1													
4	93430-12008	CIRCLIP (E-12)	1	1													
5	109-27115-00	LINK, main stand	1	1													
6	90506-29054	SPRING, tension (122-27116-00)	1	1													
7	260-27411-00	FOOTREST	1	1													
8	122-27413-00	COVER, footrest	2	2													
9	90101-08246	BOLT, hexagon	1	1													
10	92901-08100	WASHER, spring	1	1													
11	296-27231-00	ROD, brake		1													
	180-27231-01	ROD, brake		1													
12	90506-20041	SPRING, tension (109-27216-00)	1	1													
13	91401-20012	PIN, cotter	1	1													
14	92901-06600	WASHER, plate	1	1													
15	90501-10245	SPRING, compression (180-27236-00)	1	1													
16	90249-12008	PIN (156-27237-00)	1	1													
17	90179-06176	NUT	1	1													

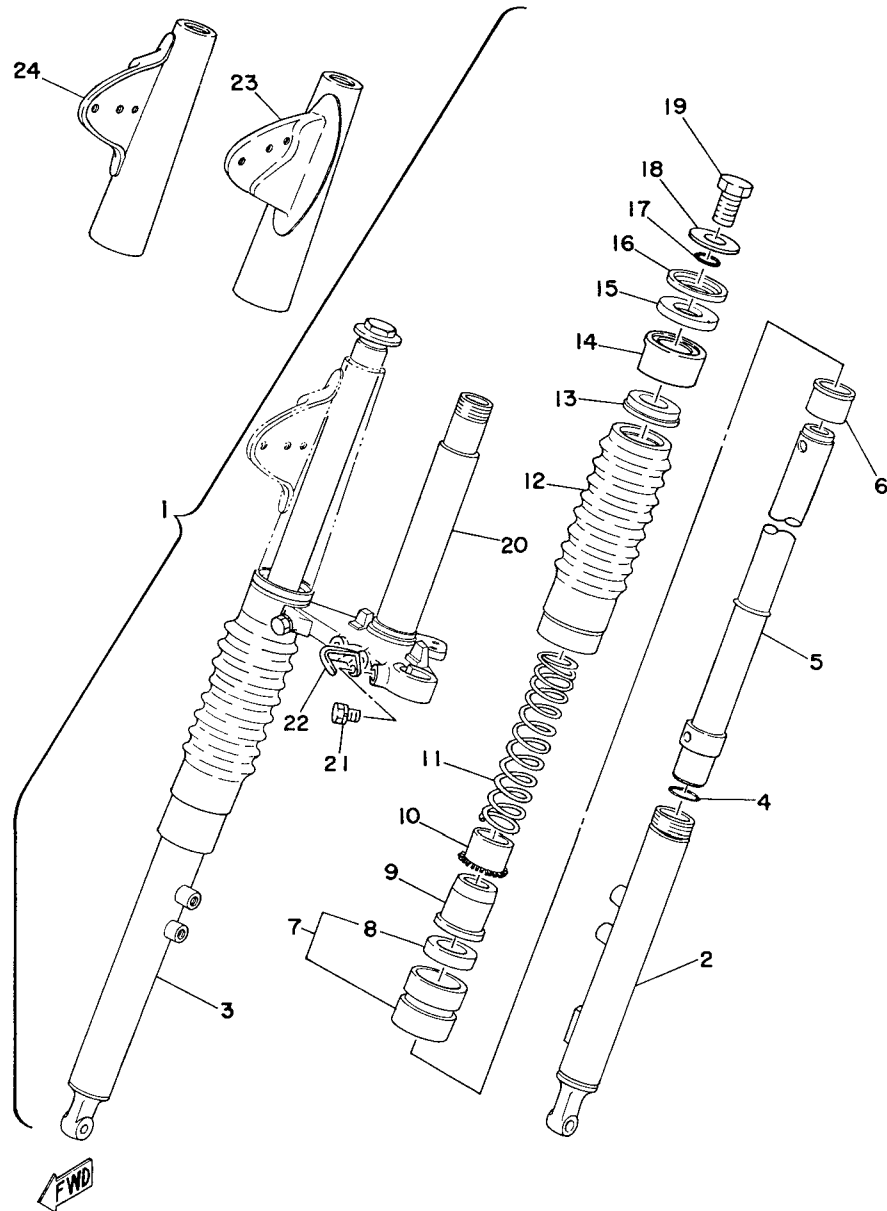
Fig. 17 FRONT FENDER · REAR FENDER



FWD

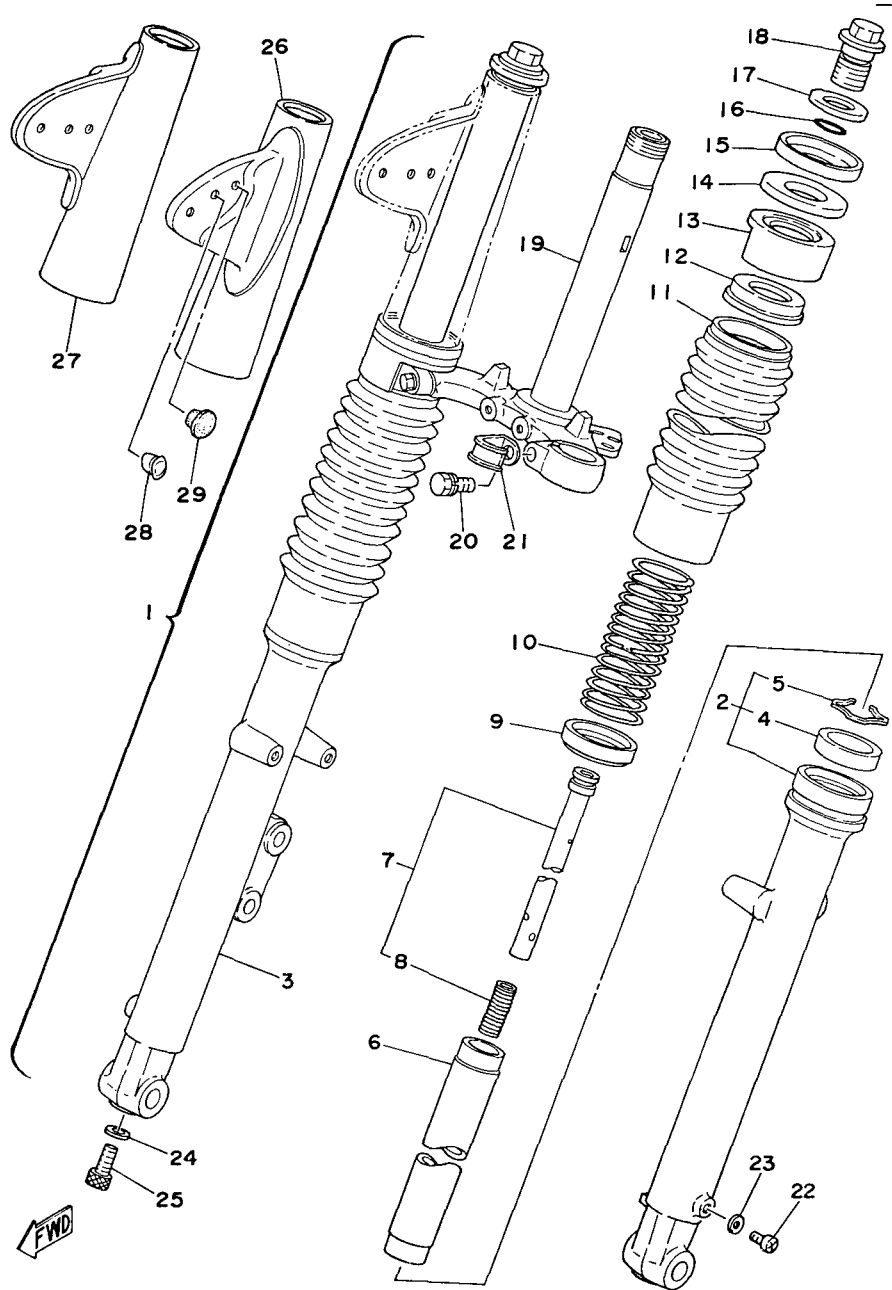
Ref.No.	Part No.	Description	Q'ty	FSI FSIDX											Remarks				
				FRANCE	HOLLAND	W. GERMANY	SWITZERLAND	FINLAND	DENMARK	NORWAY	AUSTRIA	ENGLAND	ITALY						
17-1	1X5-21510-00-93	FRONT FENDER COMP.	1																
2	97301-08012	BOLT, hexagon	4																
3	92901-08100	WASHER, spring	4																
4	122-21517-00	PAD, wire	1																
5	3F1-21510-00-93	FRONT FENDER COMP.	1																
6	97301-06016	BOLT, hexagon	4																
7	92901-06100	WASHER, spring	4																
8	1A0-21518-00	HOLDER, wire	1																
9	468-21610-42-93	REAR FENDER COMP.	1																
	1X9-21610-00-93	REAR FENDER COMP.	1																
	1X6-21610-00-93	REAR FENDER COMP.	1	1															
	471-21610-01-93	REAR FENDER COMP.	1																
10	97301-08016	BOLT, hexagon	2	2															
11	92901-08100	WASHER, spring	2	2															
12	97321-06016	BOLT, hexagon	2	2															
13	92901-06600	WASHER, plate	2	2															
14	526-21621-01	FLAP, rear fender	1	1															
15	471-21623-00	BAND, flap	1	1															
16	92501-06015	SCREW, panhead	1	1															
17	92901-06600	WASHER, plate	1	1															
18	95301-06600	NUT, hexagon	1	1															
19	92901-06100	WASHER, spring	1	1															
20	90480-12013	GROMMET (152-84518-00)	2	2															
	90480-13016	GROMMET (136-82598-00)	2	2															

Fig. 18 FRONT FORK (FS1)



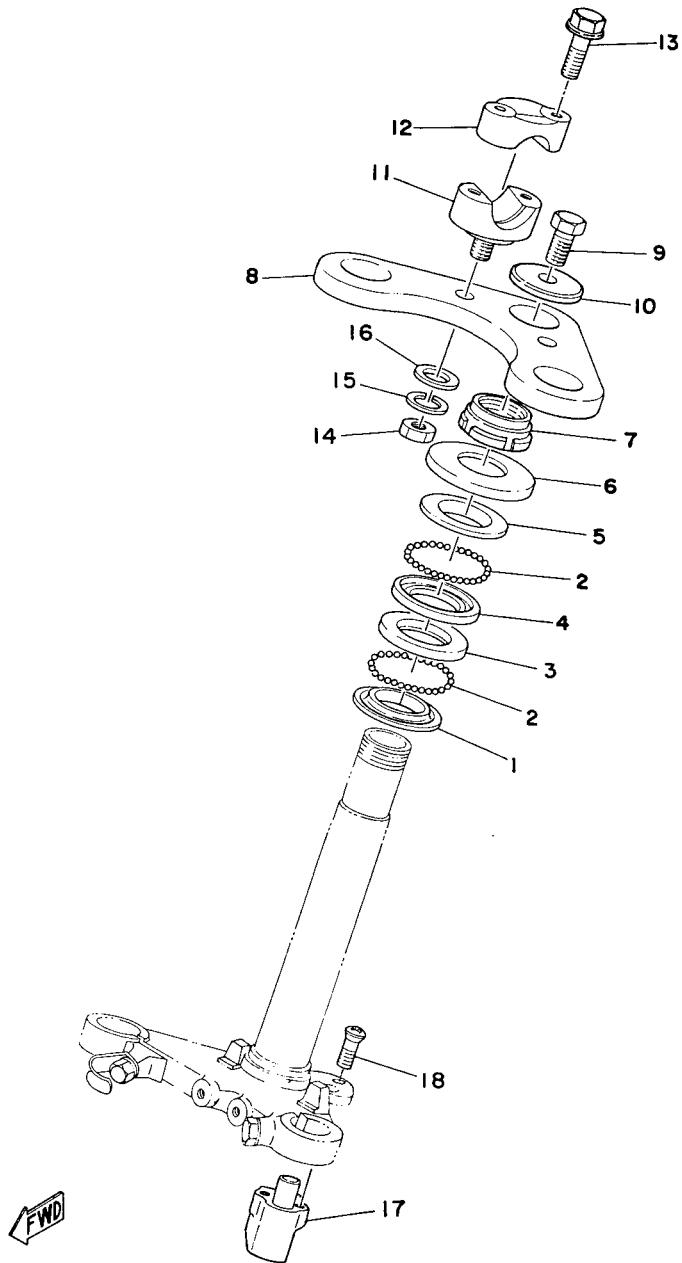
Ref.No.	Part No.	Description	Q'ty												Remarks				
				FS1	FS1DX	FRANCE	HOLLAND	WEST GERMANY	SWITZERLAND	BELEM	FINLAND	DENMARK	NORWAY	AUSTRIA		ENGLAND	ITALY		
18-1	1U1-23101-31	FRONT FORK ASS'Y	1																
2	353-23126-91-35	. TUBE, outer left	1																Silver
3	1U1-23136-11-35	. TUBE, outer right	1																Silver
4	207-23147-00	. O-RING	2																
5	355-23124-90	. TUBE, inner left	1																
	355-23134-90	. TUBE, inner right	1																
6	109-23125-00	. METAL, slide	2																
7	209-23150-41	. OUTER NUT COMP.	2																
8	109-23145-01	. OIL SEAL	2																
9	109-23143-00	. SEAT, spring under	2																
10	207-23117-00	. GUIDE, spring	2																
11	207-23141-10	. SPRING, fork	2																
12	196-23191-40	. BOOT	2																
13	209-23142-40	. SEAT, spring upper	2																
14	1Y1-23122-00	. COVER, outer	2																
15	207-23163-00	. PACKING	2																
16	207-23116-01	. GUIDE, cover under	2																
17	307-23114-00	. PACKING	2																
18	207-23112-00	. WASHER, cap	2																
19	260-23111-40	. BOLT, cap	2																
20	1Y2-23340-30-33	. UNDER BRACKET COMP.	1																Yamaha Black
21	122-23346-01	. BOLT, under bracket	2																
22	260-23318-40	. HOLDER, wire	1																
23	260-23121-40-33	COVER, upper left	1																Yamaha Black
24	260-23131-40-33	COVER, upper right	1																Yamaha Black

Fig. 19 FRONT FORK (FS1-DX)



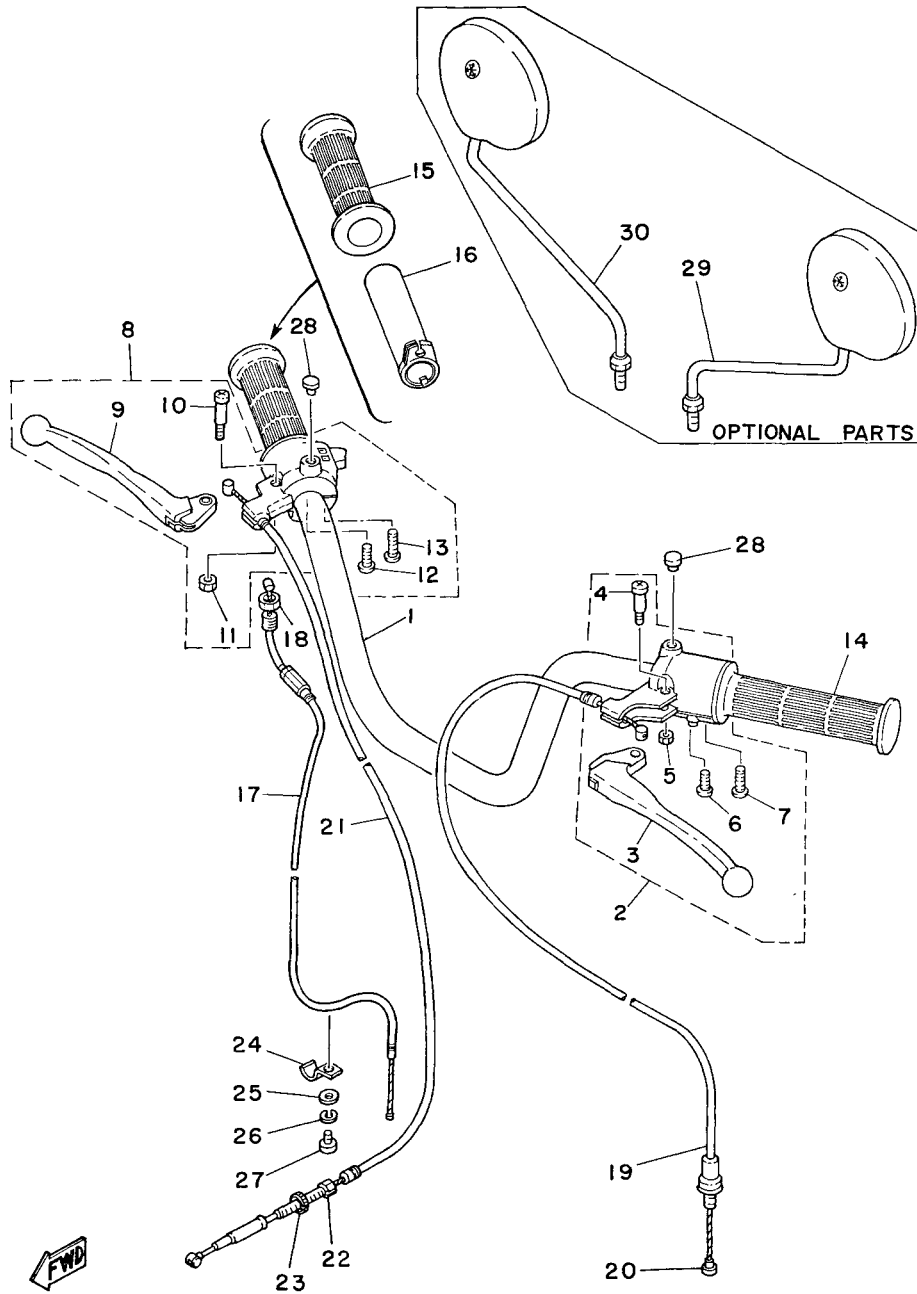
Ref.No.	Part No.	Description	Q'ty	FRANCE	HOLLAND	SWITZERLAND	FINLAND	DENMARK	NORWAY	AUSTRIA	ENGLAND	Remarks
				FS1	FS1DX	FRANCE	SWITZERLAND	FINLAND	DENMARK	NORWAY	AUSTRIA	
19- 1	3E8-23101-00	FRONT FORK ASS'Y	1				x					
	3F1-23101-00	FRONT FORK ASS'Y	1	x			x			x		
2	2U2-23126-00	. TUBE, outer left	1	x	x	x				x		
3	2U2-23136-00	. TUBE, outer right	1	x	x	x				x		
4	1T8-23145-00	. . OIL SEAL	2	x	x	x				x		
5	1T8-23156-00	. . CLIP, oil seal	2	x	x	x				x		
6	2L6-23110-00	. INNER TUBE COMP.	2	x	x	x				x		
7	2L6-23170-00	. CYLINDER, front fork	2	x	x	x				x		
8	2U2-23151-00	. . SPRING, front fork	2	x	x	x				x		
9	596-23117-00	. GUIDE, spring	2	x	x	x				x		
10	596-23141-00	. SPRING, fork	2	x	x	x				x		
11	428-23191-00	. BOOT	2	x	x	x				x		
12	209-23142-40	. SEAT, spring upper	2	x	x	x				x		
13	1Y1-23122-00	. COVER, outer left	2	x	x	x				x		
14	207-23163-00	. PACKING	2	x	x	x				x		
15	207-23116-01	. GUIDE, cover under	2	x	x	x				x		
16	1T8-23114-00	. PACKING	2	x	x	x				x		
17	1T8-23112-00	. WASHER, cap	2	x	x	x				x		
18	1T8-23111-00	. BOLT, cap	2	x	x	x				x		
19	1Y2-23340-30-33	. UNDER BRACKET COMP.	1	x			x			x		Yamaha Black
	596-23340-00-33	. UNDER BRACKET COMP.	1				x					Yamaha Black
20	1M3-23346-00	. BOLT, under bracket	2	x	x	x				x		
21	260-23318-40	. HOLDER, wire	1	x	x	x				x		
22	122-23119-01	. PLUG, drain	2	x	x	x				x		
23	122-23129-00	. GASKET, drain plug	2	x	x	x				x		
24	509-23158-L0	. PACKING	2	x	x	x				x		
25	278-23181-50	. BOLT, hexagon	2	x	x	x				x		
26	260-23121-40-33	COVER, upper left	1	x	x	x				x		Yamaha Black
27	260-23131-40-33	COVER, upper right	1	x	x	x				x		Yamaha Black
28	90338-06062	PLUG	2	x						x		
29	90338-09060	PLUG	2	x						x		

Fig. 20 STEERING



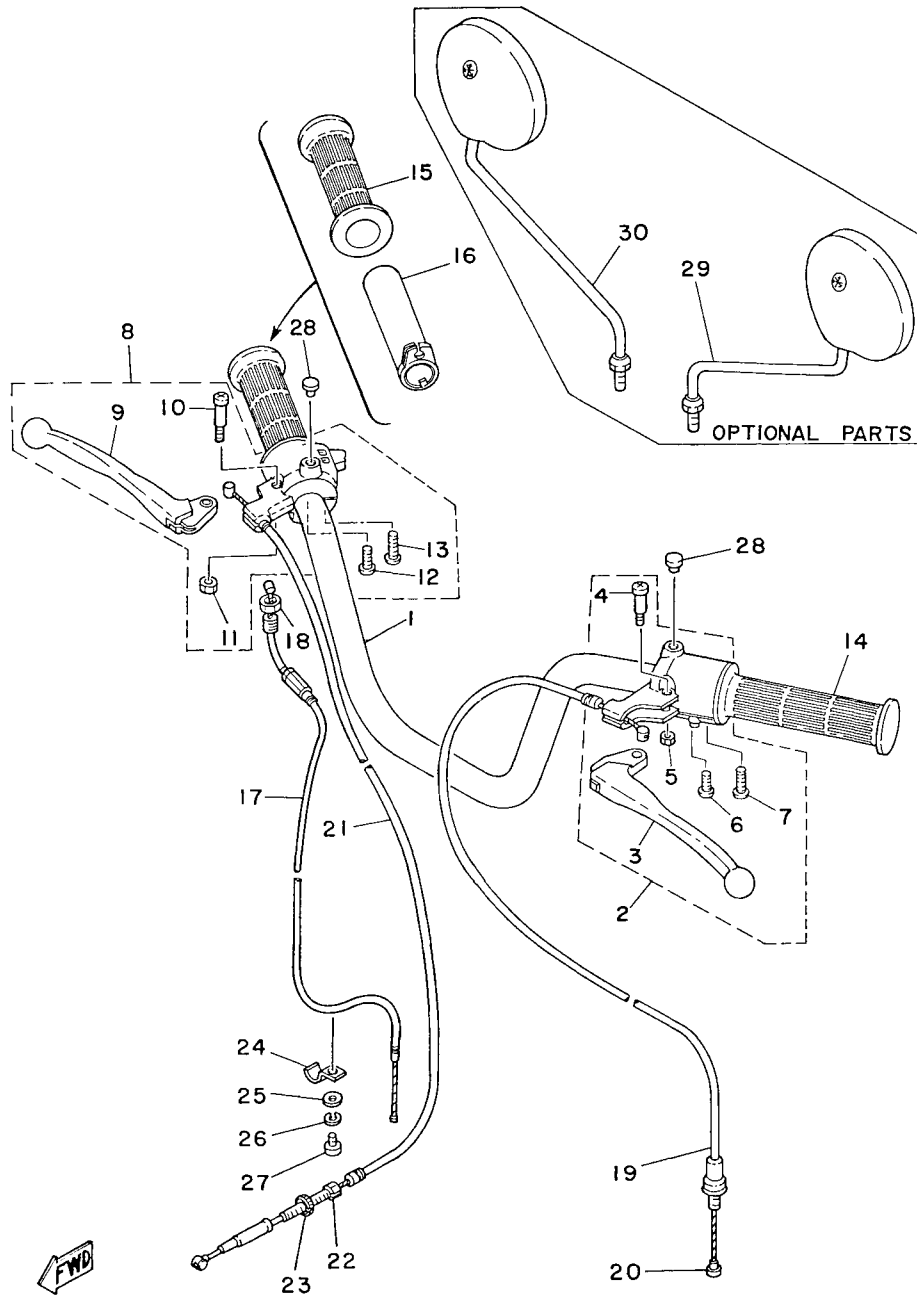
Ref.No.	Part No.	Description	Q'ty		FRANCE	HOLLAND	SWITZERLAND	GERMANY	BELGIUM	SWEDEN	FINLAND	DENMARK	NORWAY	AUSTRIA	ENGLAND	ITALY	Remarks
			FS1	FSIDX													
20- 1	156-23411-00	RACE, ball 1	1	1													
2	93501-04011	BALL (1/4 inch)	38	38													
3	156-23412-00	RACE, ball 2	1	1													
4	183-23412-00	RACE, ball 2	1	1													
5	183-23411-00	RACE, ball 1	1	1													
6	136-23415-00	COVER, ball race	1	1													
7	90179-25051	NUT (122-23453-00)	1	1													
8	185-23435-00-33	CROWN, handle	1	1													Yamaha Black
9	90105-10006	BOLT (122-23451-00)	1	1													
10	90209-10021	WASHER (122-23443-00)	1	1													
11	462-23442-00-98	HOLDER, handle under	2	2													Low Gloss Black
12	462-23441-00-98	HOLDER, handle upper	2	2													Low Gloss Black
13	90119-06017	BOLT	4	4													
14	95301-10600	NUT, hexagon	2	2													
15	92901-10100	WASHER, spring	2	2													
16	92901-10600	WASHER, plate	2	2													
17	1J5-23480-00	STEERING LOCK ASS'Y	1	1													
18	98601-05012	SCREW, ovalhead	2	2													

Fig. 21 HANDLE · WIRE (FS1)



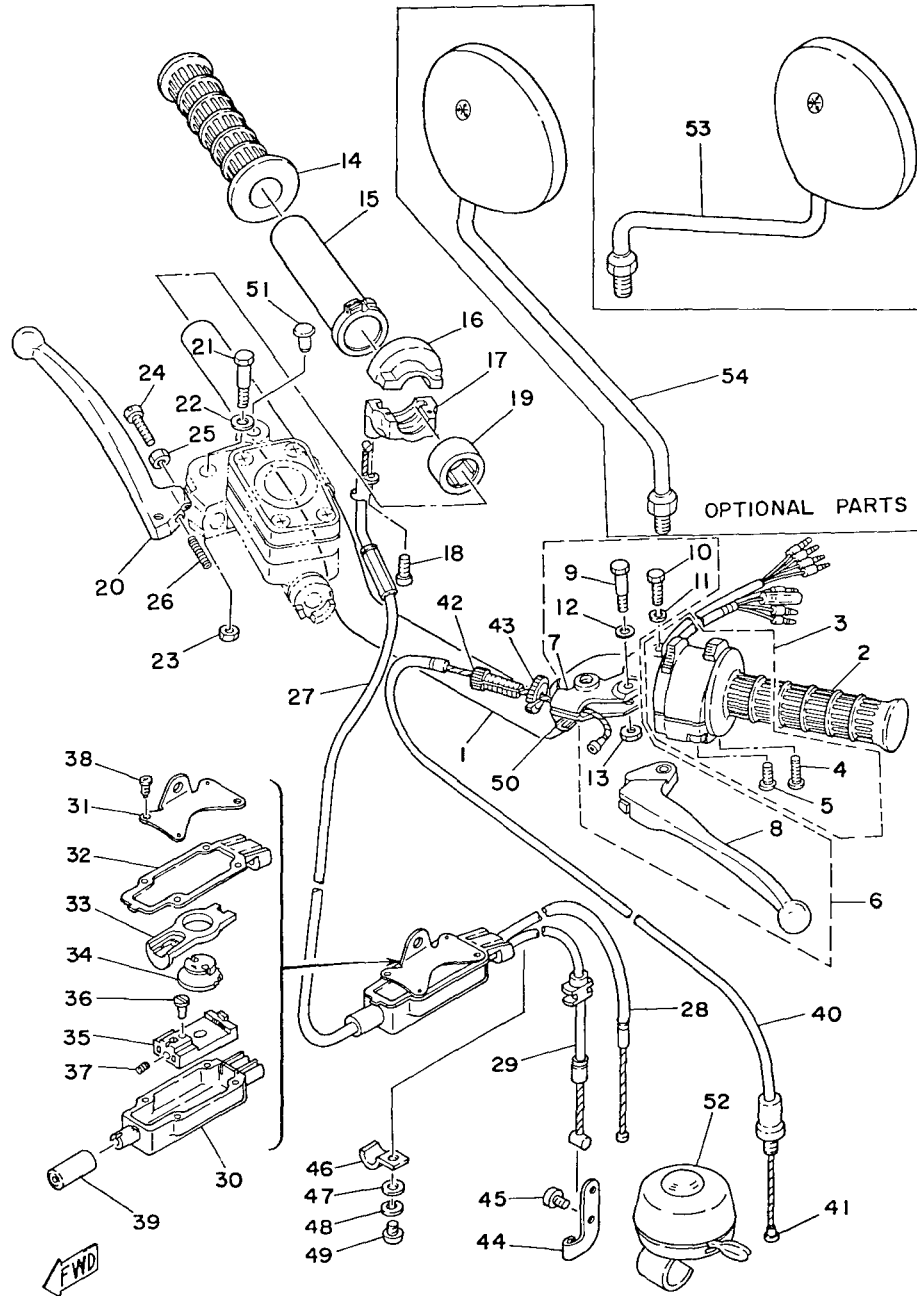
Ref.No.	Part No.	Description	Q'ty												Remarks		
				FS1	FS1DX	FRANCE	HOLLAND	GERMANY	SWITZERLAND	BEIJUM	SWEDEN	DENMARK	FINLAND	NORWAY		AUSTRIA	ENGLAND
21-	1Y0-26111-00	HANDLE	1														Semi Up
	3E9-26111-20	HANDLE	1														Alternate Parts Bar
	283-26111-00	HANDLE	1														Alternate Parts Bridge
2	471-82710-00	LEVER HOLDER ASS'Y, left	1														
3	137-83912-02-38	. LEVER, left	1														
4	90149-05120	. SCREW	1														
5	95601-05100	. NUT U	1														
6	98501-05018	. SCREW, panhead	1														
7	98501-05022	. SCREW, panhead	2														
8	109-82820-12-94	LEVER HOLDER ASS'Y, right	1														
9	232-83922-31-38	. LEVER, right	1														
10	90149-05120	. SCREW	1														
11	95601-05100	. NUT U	1														
12	98501-05018	. SCREW, panhead	1														
13	98501-05022	. SCREW, panhead	2														
14	353-26241-00	GRIP, left	1														
15	353-26242-00	GRIP, right	1														
16	1V1-26243-00	TUBE, guide	1														
17	1X3-26311-00	WIRE, throttle 1 (865mm)	1														for Semi Up Handle Bar Handle
	394-26311-10	WIRE, throttle 1 (900mm)	1														Alternate Parts for Bridge Handle
18	90170-10038	NUT, hexagon	1														
	355-26335-10	WIRE, clutch (1050mm)	1														for Semi Up Handle Bar Handle
19	3F0-26335-10	WIRE, clutch (1065mm)	1														Alternate Parts for Bridge Handle
	164-26363-00	END, wire	1														
21	1Y0-26341-00	WIRE, brake (1010mm)	1														for Semi Up Handle Bar Handle
	132-26341-10	WIRE, brake (1020mm)	1														Alternate Parts for Bridge Handle
22	90123-06011	BOLT (109-26345-00)	1														
23	90179-06143	NUT (109-26344-00)	1														
24	90462-06009	CLAMP (128-26278-00)	1														
25	92901-06600	WASHER, plate	1														
26	92901-06100	WASHER, spring	1														
27	92501-06008	SCREW, panhead	1														
28	90338-07011	PLUG	2														

Fig. 21 HANDLE · WIRE (FS1)



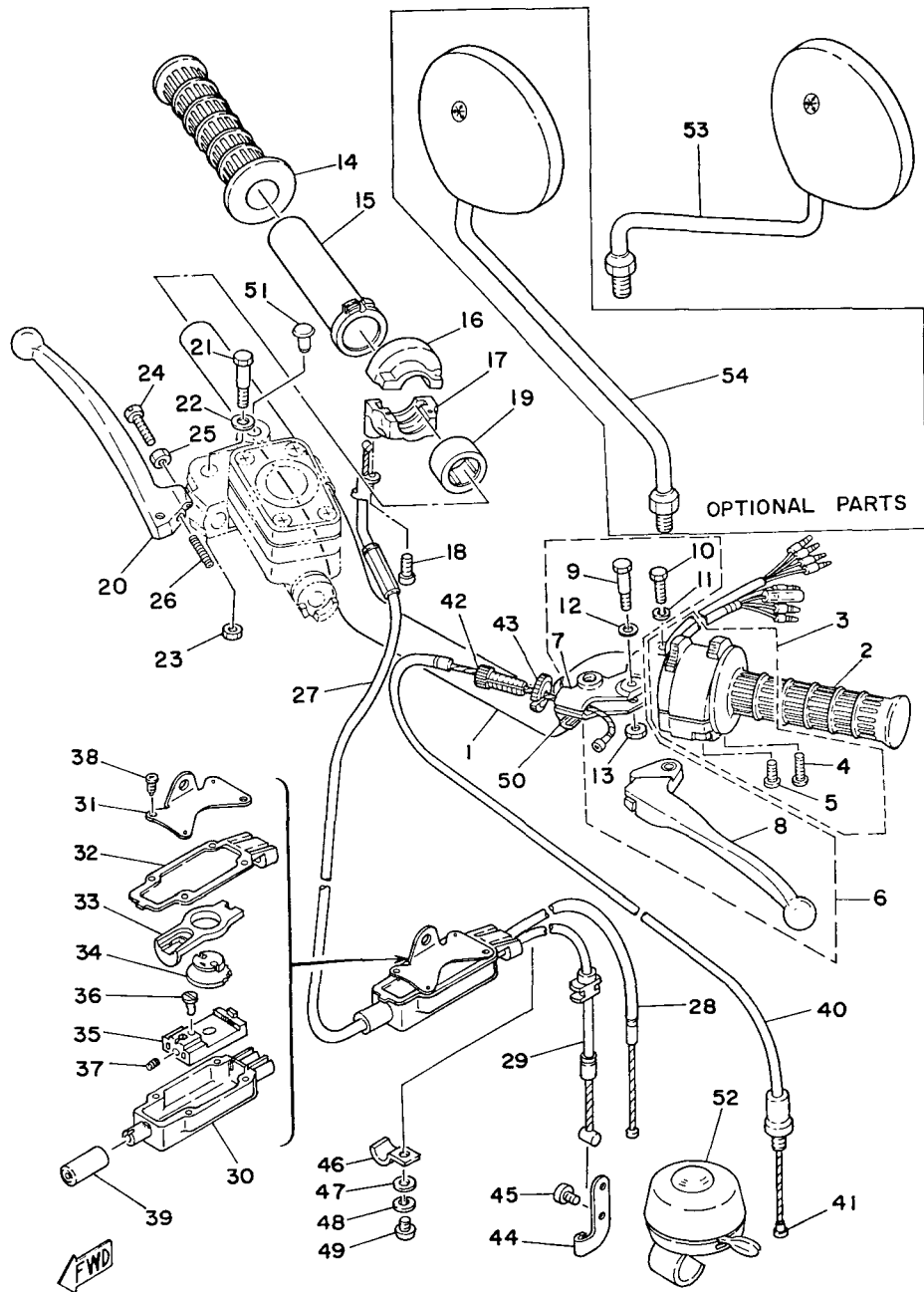
Ref.No.	Part No.	Description	Q'ty												Remarks
				FS1	FS1DX	FRANCE	HOLLAND	WEST GERMANY	SWITZERLAND	SWEDEN	BELGIUM	FINLAND	DENMARK	NORWAY	
OPTIONAL PARTS															
21-29	1Y0-26290-10	BACK MIRROR ASS'Y, left	1												x
30	1Y0-26290-00	BACK MIRROR ASS'Y, right	1												x

Fig. 22 HANDLE · WIRE (FS1-DX)



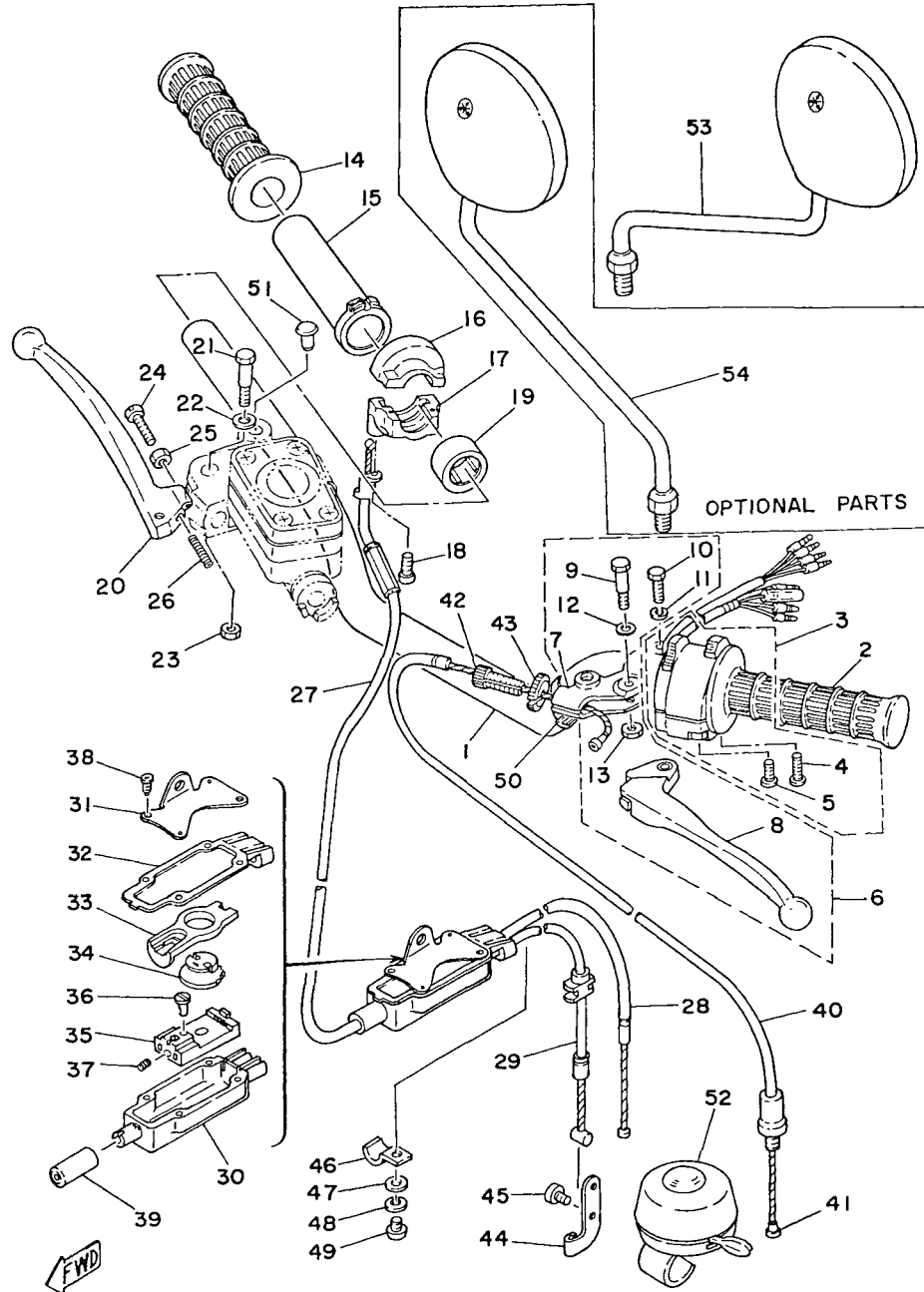
Ref.No.	Part No.	Description	Q'ty		FRANCE	HOLLAND	SWITZERLAND	SWEDEN	FINLAND	DENMARK	AUSTRIA	ENGLAND	ITALY	Remarks
			FS1	FS1DX										
22- 1	463-26111-00	HANDLE		1	x									Semi Up
	481-26111-00	HANDLE		1										Semi Up
	2L6-26111-20	HANDLE		1		x	x	x						Alternate Parts Bar
2	235-26241-10	GRIP, left		1	x		x	x						
3	1K0-83973-01	SWITCH, handle 3		1		x								
	393-83973-02	SWITCH, handle 3		1			x	x						
4	98501-05022	. SCREW, panhead		1	x	x	x							
5	98501-05030	. SCREW, panhead		1	x	x	x							
6	360-82910-02	LEVER HOLDER ASS'Y, left		1	x	x	x							
7	341-82911-00	. HOLDER, lever left		1	x	x	x							
8	214-83912-00	. LEVER, left		1	x	x	x							
9	90109-06410	. BOLT		1	x	x	x							
10	97301-06022	. BOLT, hexagon		1	x	x	x							
11	92901-06100	. WASHER, spring		1	x	x	x							
12	90201-08083	. WASHER, plate		1	x	x	x							
13	95601-06100	. NUT U		1	x	x	x							
14	306-26242-10	GRIP, right		1	x	x	x							
15	1V1-26243-00	TUBE, guide		1	x	x	x							
16	307-26281-00	CAP, grip upper		1	x	x	x							
17	307-26282-00	CAP, grip under		1	x	x	x							
18	98501-05016	SCREW, panhead		2	x	x	x							
19	90387-22585	COLLAR		1	x	x	x							
20	1V1-83922-00	LEVER, right		1	x	x	x							
21	90109-06465	BOLT, hexagon		1	x	x	x							
22	90201-08083	WASHER, plate		1	x	x	x							
23	95601-06100	NUT U		1	x	x	x							
24	90149-06131	SCREW		1	x	x	x							
25	90170-06010	NUT, hexagon (306-83924-00)		1	x	x	x							
26	90501-10312	SPRING, compression (306-83924-00)		1	x	x	x							

Fig. 22 HANDLE · WIRE (FS1-DX)



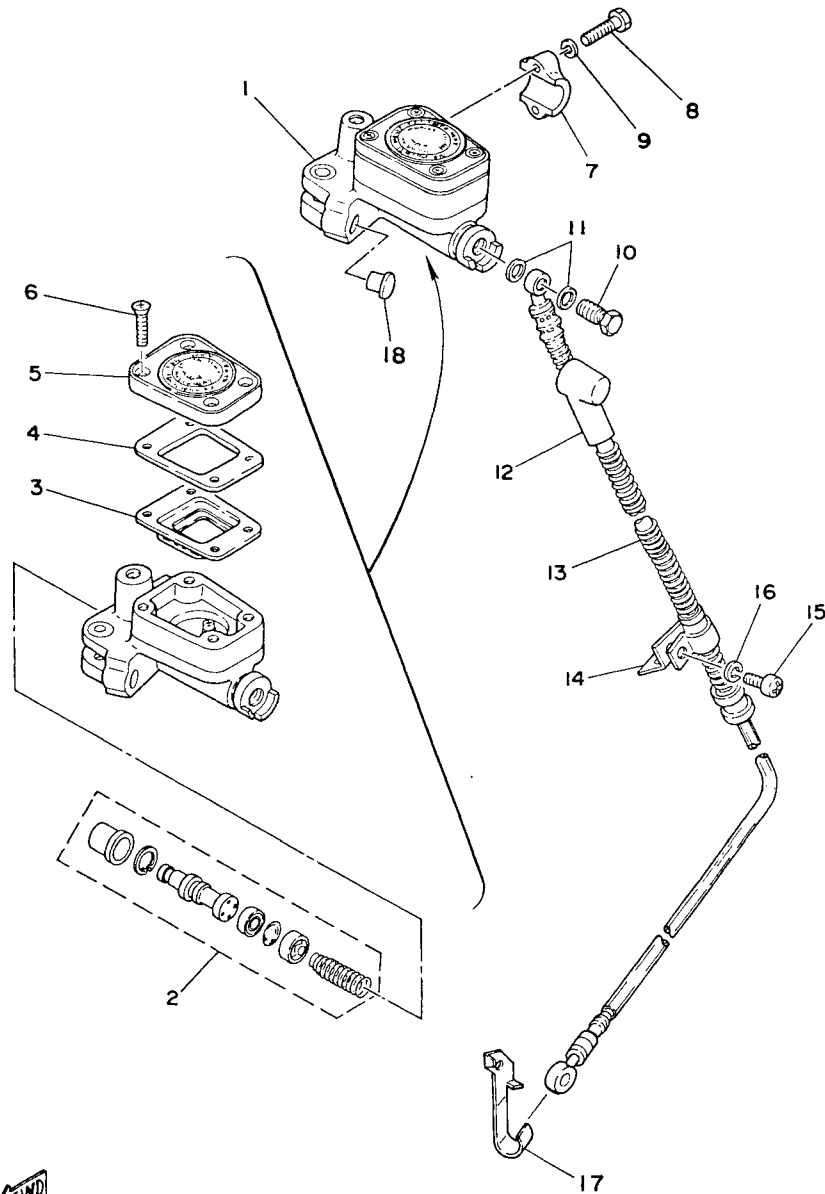
Ref.No.	Part No.	Description	Q'ty												Remarks			
				FS1	FS1DX	FRANCE	HOLLAND	SWITZERLAND	U. GERMANY	SWITZERLAND	BELGIUM	SWEDEN	FINLAND	DENMARK		AUSTRIA	ENGLAND	ITALY
22-27	3F2-26311-00	WIRE, throttle 1 (500mm)	1		X													for Semi Up Handle
	3F5-26311-00	WIRE, throttle 1 (480mm)	1							X								for Semi Up Handle Bar Handle
	1X4-26311-00	WIRE, throttle 1 (865mm)	1								X			X				for Semi Up Handle
	3F5-26311-00	WIRE, throttle 1 (480mm)	1			X												Alternate Parts for Bar Handle
	596-26311-20	WIRE, throttle 1 (845mm)	1								X			X				Alternate Parts for Bar Handle
28	3F2-26312-00	WIRE, throttle 2 (300mm)	1			X		X										
29	3F2-26321-00	WIRE, pump (410mm)	1			X		X										
30	2T5-26261-00	CYLINDER, wire	1			X		X										
31	3F2-21364-00	HOLDER, wire cylinder	1			X		X										
32	2T5-26262-00	CAP, cylinder	1			X		X										
33	2T5-26274-00	GUIDE, rotor	1			X		X										
34	2T5-26273-00	ROTOR	1			X		X										
35	2T5-26244-00	SLIDER	1			X		X										
36	2T5-26267-00	PIN, set	1			X		X										
37	90501-05512	SPRING, compression	1			X		X										
38	90167-03004	SCREW, panhead tapping	2			X		X										
39	156-26329-00	CAP, rubber	1			X		X										
40	3F1-26335-00	WIRE, clutch (1035mm)	1			X		X						X				for Semi Up Handle
	596-26335-20	WIRE, clutch (960mm)	1					X										for Semi Up Handle Bar Handle
	1Y1-26335-00	WIRE, clutch (1000mm)	1			X		X						X				Alternate Parts for Bar Handle
41	164-26363-00	END, wire	1			X		X	X					X				
42	90123-08013	BOLT (156-26346-00)	1			X		X	X					X				
43	90179-08148	NUT (168-26344-00)	1			X		X	X					X				
44	3F2-13151-00	STAY	1			X		X										
45	98501-05010	SCREW, panhead	2			X		X										
46	90462-06009	CLAMP	1						X					X				
47	92901-06600	WASHER, plate	1						X					X				
48	92901-06100	WASHER, spring	1						X					X				
49	92501-06008	SCREW, panhead	1						X					X				
50	437-83936-00	BAND, switch cord	1			X		X	X					X				
51	90338-09012	PLUG, blind	1			X		X	X					X				
52	469-83382-00	BELL	1			X												

Fig. 22 HANDLE · WIRE (FS1-DX)



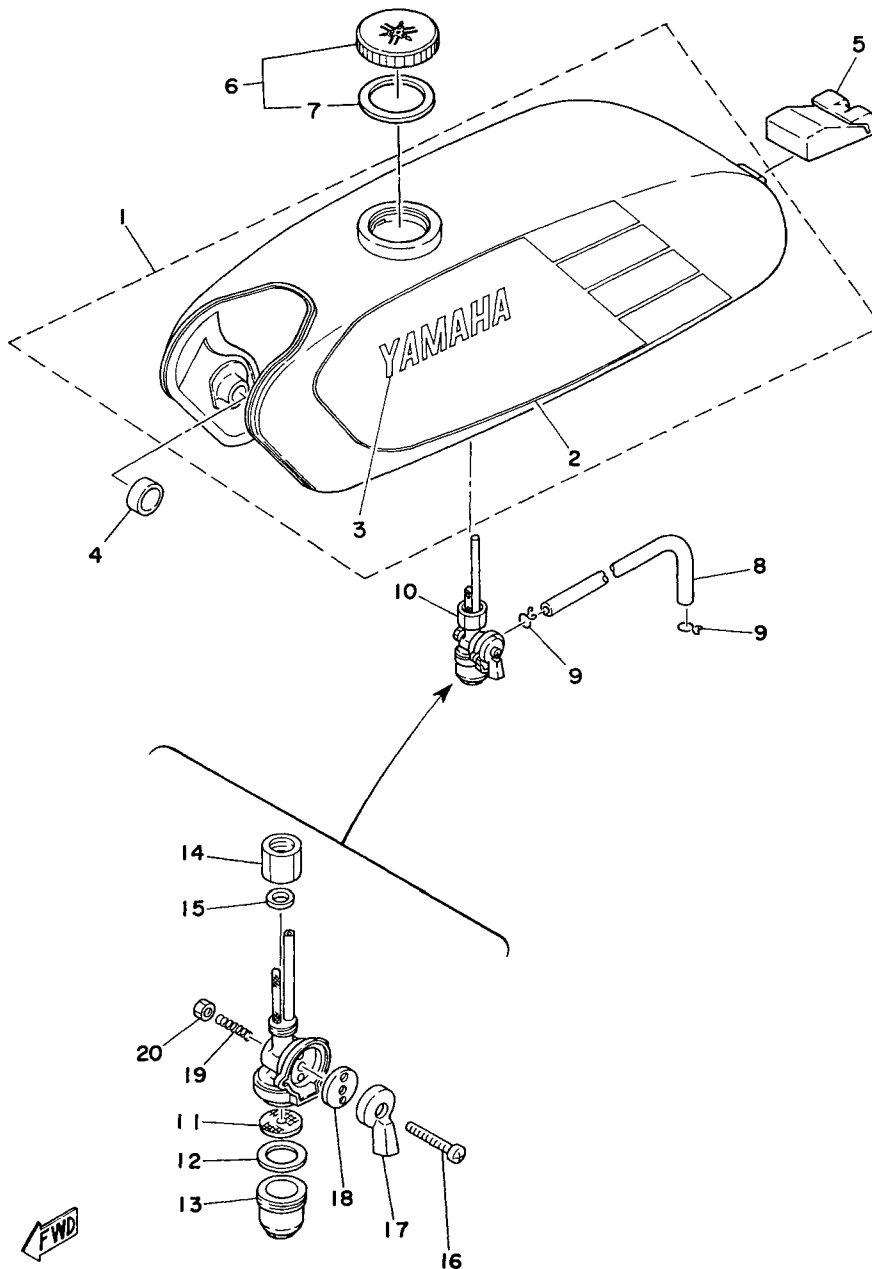
Ref.No.	Part No.	Description	Q'ty		FRANCE	HOLLAND	W. GERMANY	SWITZERLAND	BELGIUM	FINLAND	DENMARK	NORWAY	AUSTRIA	ENGLAND	ITALY	Remarks
			FS1	FS1DX												
22-53	1Y1-26290-50	BACK MIRROR ASS'Y, left	1			x										
	1Y1-26290-10	BACK MIRROR ASS'Y, left	1					x	x							
OPTIONAL PARTS																
54	1Y1-26290-60	BACK MIRROR ASS'Y, right	1			x										
55	1Y1-26290-00	BACK MIRROR ASS'Y, right	1					x	x							

Fig. 23 MASTER CYLINDER · BRAKE HOSE (FS1-DX)



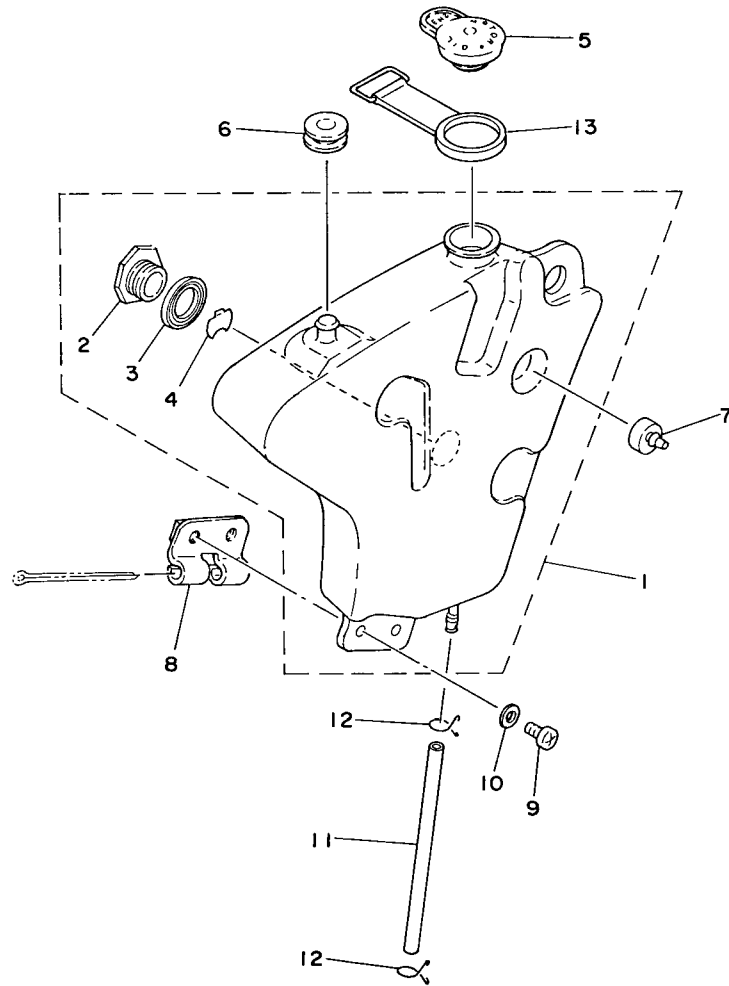
Ref.No.	Part No.	Description	Q'ty		Remarks
			FS1	FS1DX	
23- 1	1U4-25850-01	MASTER CYLINDER ASS'Y		1	
2	535-20000-60	. CYLINDER KIT, master		1	
3	1J3-25854-01	. DIAPHRAGM, reservoir		1	
4	1J3-25855-01	. BUSHING, diaphragm		1	
5	1J3-25852-01	. CAP, reservoir		1	
6	98706-05035	. SCREW		4	
7	1J3-25867-00	BRACKET, master		1	
8	97321-06025	BOLT, hexagon		2	
9	92901-06100	WASHER, spring		2	
10	90401-10034	BOLT, union		2	
11	90201-10118	WASHER, plate		4	
12	360-25862-00	BOOT, master cylinder		1	
13	2L4-25872-00	HOSE, brake		1	for Semi Up Handle
	2L4-25872-10	HOSE, brake		1	Alternate Parts for Bar Handle
14	1K0-25875-01	HOLDER, brake hose		1	
15	92501-06012	SCREW, panhead		1	
16	92901-06100	WASHER, spring		1	
17	2L4-25876-00	HOLDER, brake hose 2		1	
18	90338-12081	PLUG		1	

Fig. 24 FUEL TANK



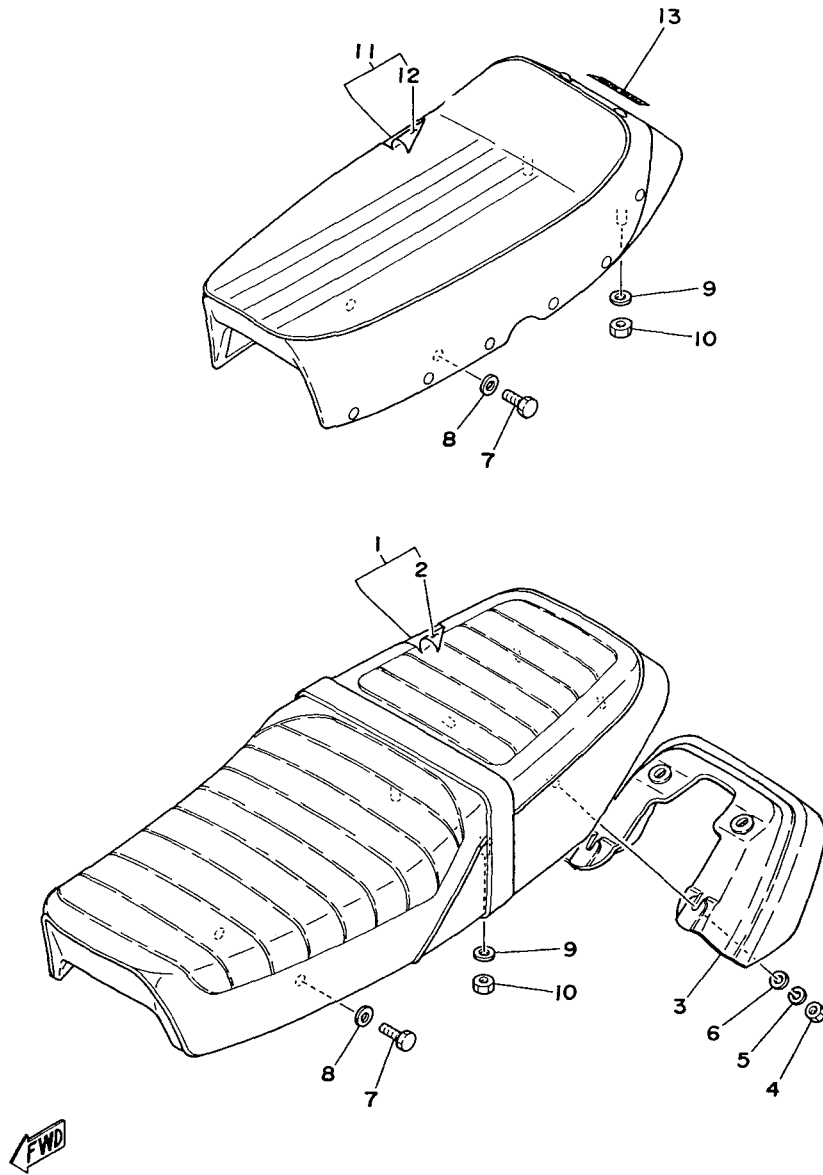
Ref.No.	Part No.	Description	Q'ty	Remarks
24- 1	3E8-24110-00-01	FUEL TANK COMP.	1	Yamaha Black
	3E8-24110-00-02	FUEL TANK COMP.	1	Clean White
	3E8-24110-00-03	FUEL TANK COMP.	1	Carmine Red
	3E8-24110-00-04	FUEL TANK COMP.	1	French Blue
2	3E8-24240-00	. GRAPHIC SET, fuel tank	1s	for Yamaha Black
	3E8-24240-10	. GRAPHIC SET, fuel tank	1s	for Clean White
	3E8-24240-20	. GRAPHIC SET, fuel tank	1s	for Carmine Red
	3E8-24240-30	. GRAPHIC SET, fuel tank	1s	for French Blue
3	1X0-24161-00	. EMBLEM, fuel tank	2	for Yamaha Black
	554-24161-00	. EMBLEM, fuel tank	2	for Clean White Carmine Red French Blue
4	122-24181-00	DAMPER, locating 1	2	
5	3E8-24184-00	DAMPER, locating 4	1	
6	122-24610-01	CAP ASS'Y	1	
7	122-24612-01	. GASKET, cap	1	
8	90445-09353	HOSE (5-520)	1	
9	90467-08003	CLIP (101-24356-00)	2	
10	367-24500-04	FUEL COCK ASS'Y	1	
11	355-24515-00	. NET, filter	1	
12	102-24522-01	. GASKET, filter	1	
13	122-24521-00	. CUP, filter	1	
14	603-24531-01	. NUT	1	
15	122-24532-00	. GASKET	1	
16	98501-05030	. SCREW, panhead	1	
17	355-24524-01	. LEVER, cock	1	
18	355-24523-00	. VALVE	1	
19	355-24518-01	. SPRING, lever	1	
20	95301-05600	. NUT, hexagon	1	

Fig. 25 OIL TANK



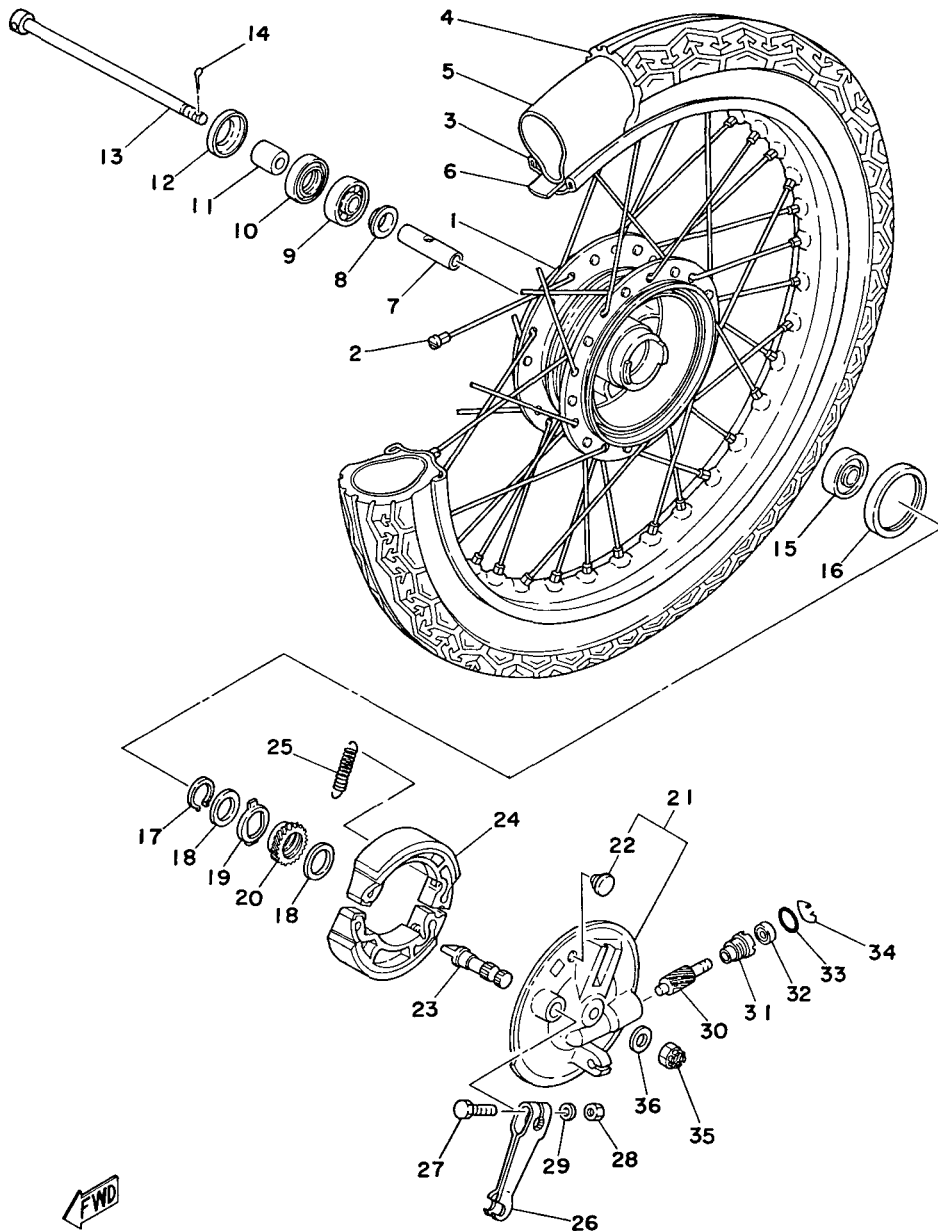
Ref.No.	Part No.	Description	Q'ty	FRANCE	IRELAND	ISLAND	NETHERLANDS	NORWAY	FINLAND	GERMANY	AUSTRIA	ENGLAND	ITALY	Remarks
				FS1	FS1DX									
25- 1	3F2-21750-00	OIL TANK ASS'Y	1		X	X								
	2 1Y1-21764-00	. LENS, level gauge	1		X	X								
	3 1Y1-21763-00	. GASKET, level gauge	1		X	X								
	4 1Y1-2176A-00	. REFLECTOR, level gauge	1		X	X								
	5 2N3-21771-01	BODY, cap	1		X	X								
	6 90480-16233	GROMMET	1		X	X								
	7 164-21778-00	DAMPER, locating	2		X	X								
	8 3F2-21796-00	HINGE	1		X	X								
	9 92501-06012	SCREW, panhead	2		X	X								
	10 92901-06600	WASHER, plate	2		X	X								
	11 126-24319-01	PIPE, oil	1		X	X								
	12 90467-08003	CLIP (101-24356-00)	2		X	X								
	13 1Y1-21776-00	BAND, tank fitting	1		X	X								

Fig. 26 SEAT



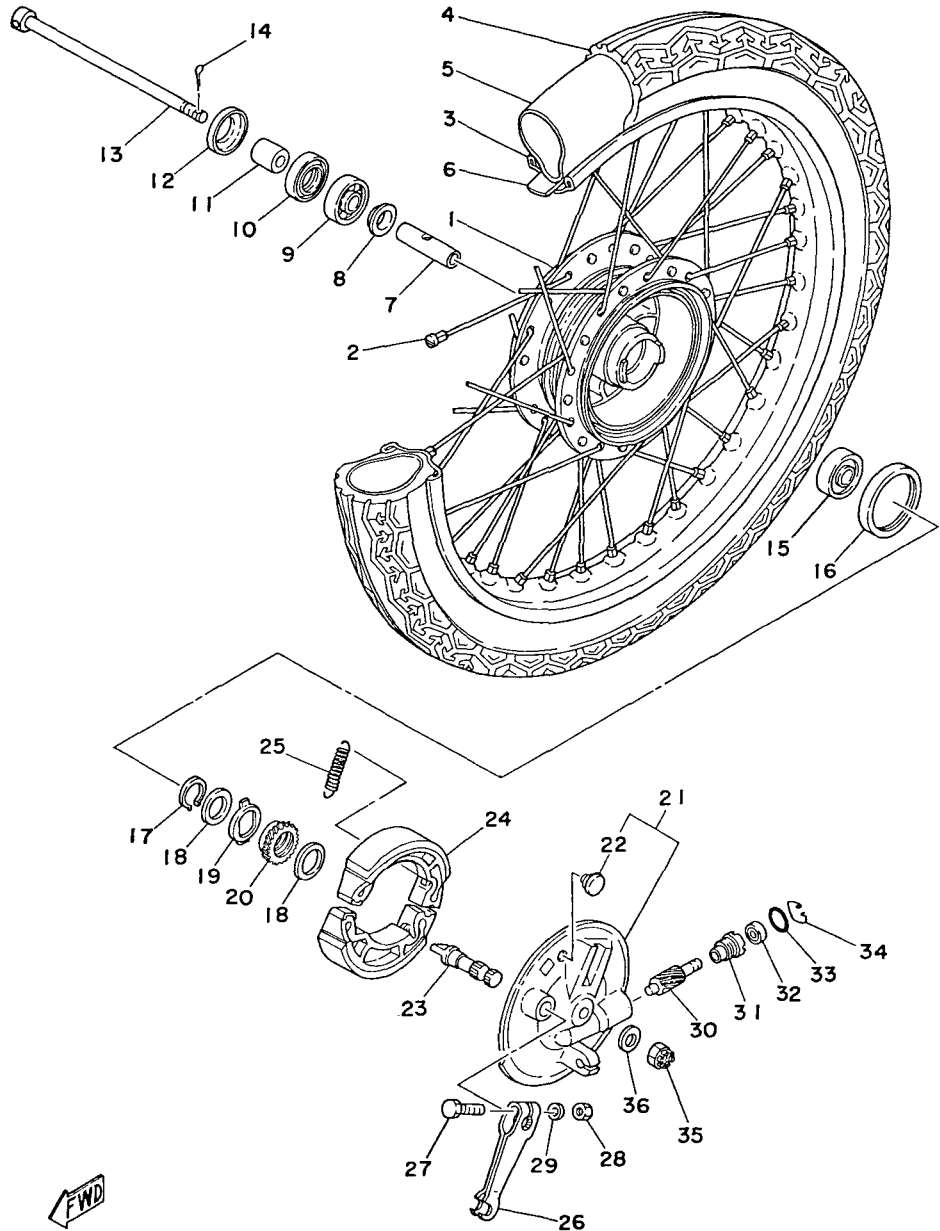
Ref.No.	Part No.	Description	Q'ty	Region											Remarks			
				FRANCE	HOLLAND	WEST GERMANY	SWITZERLAND	BELGIUM	SWEDEN	FINLAND	DENMARK	NORWAY	AUSTRIA	ENGLAND		ITALY		
26- 1	3E8-W2473-00	DOUBLE SEAT ASS'Y	1															
2	3E8-24731-00	. COVER, double seat	1															
3	3E8-24756-00	COVER, tail	1															Yamaha Black
	3E8-24756-10	COVER, tail	1															Clean White
	3E8-24756-20	COVER, tail	1															Carmine Red
	3E8-24756-30	COVER, tail	1															French Blue
4	95301-05600	NUT, hexagon	4															
5	92901-05100	WASHER, spring	4															
6	92901-05600	WASHER, plate	4															
7	97301-08018	BOLT, hexagon	2	2														
8	92901-08200	WASHER, plain	2	2														
9	92901-08600	WASHER, plate	2	2														
10	95301-08600	NUT, hexagon	2	2														
11	3F1-24770-00-33	SEMI DOUBLE SEAT ASS'Y	1	1														Yamaha Black
	3F1-24770-00-36	SEMI DOUBLE SEAT ASS'Y	1	1														Clean White
	3F1-24770-00-E9	SEMI DOUBLE SEAT ASS'Y	1	1														Carmine Red
	3F1-24770-00-G3	SEMI DOUBLE SEAT ASS'Y	1	1														French Blue
12	3F1-24771-00	. COVER, semi double seat	1	1														
13	1A2-24786-00	EMBLEM, tail cover	1	1														

Fig. 27 FRONT WHEEL (FS1)



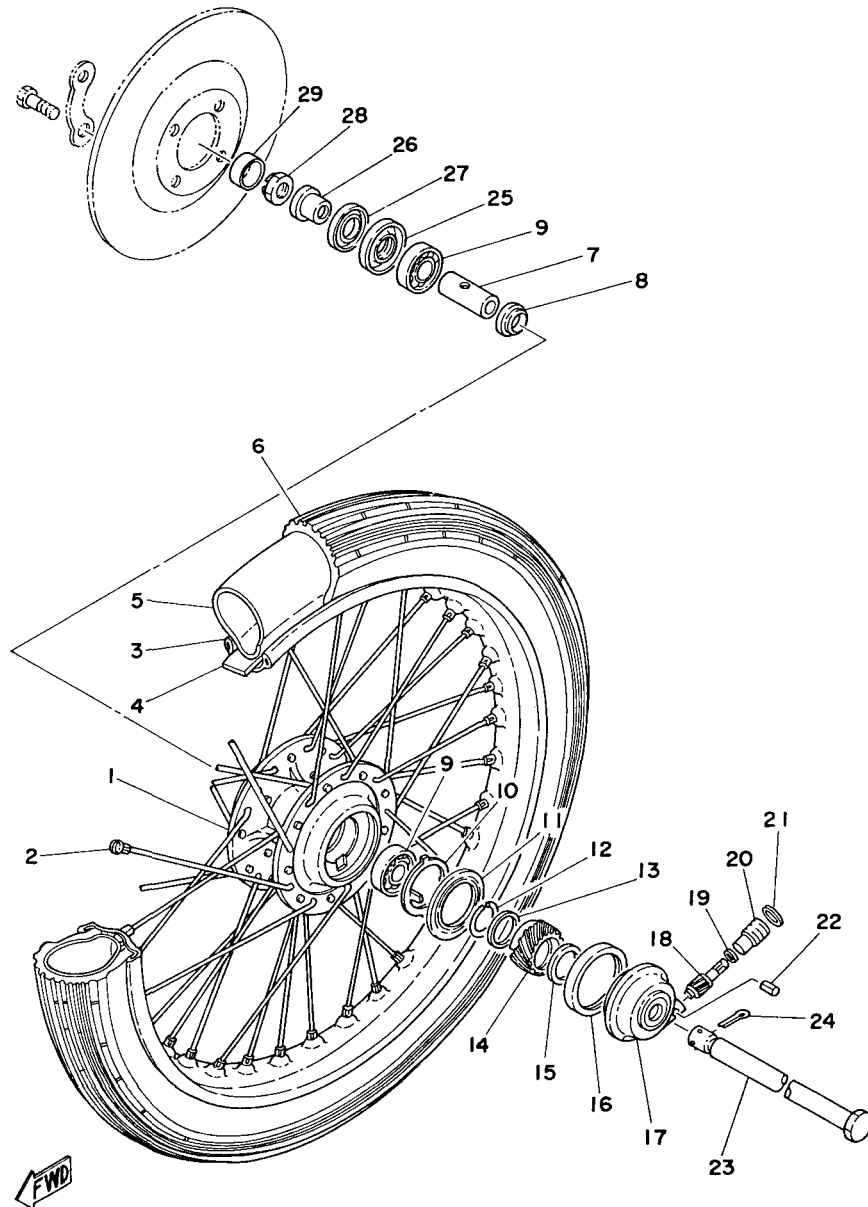
Ref.No.	Part No.	Description	Q'ty		FRANCE	HOLLAND	SWITZERLAND	BELGIUM	SWEDEN	FINLAND	DENMARK	NORWAY	AUSTRIA	ITALY	Remarks
			FS1	FS1DX											
27-	1	517-25111-00-35	HUB, front	1						X					Silver
	2	109-25104-00	SPOKE SET	1s						X					
	3	94412-17002	RIM (1.20A-17)	1						X					
	4	94125-17259	TIRE, front (2.50-17-4PR)	1						X					
	5	94225-17005	TUBE (2.50-17)	1						X					
	6	94330-17023	BAND, rim (2.50-17)	1						X					
	7	195-25117-00	SPACER, bearing	1						X					
	8	195-25115-00	FLANGE, spacer	1						X					
	9	93306-30003	BEARING (B6300Z)	1						X					
	10	93106-20001	OIL SEAL (DD-20-35-7)	1						X					
	11	90387-10277	COLLAR	1						X					
	12	322-25118-00	COVER, hub dust	1						X					
	13	353-25181-03	SHAFT, wheel	1						X					
	14	91401-20020	PIN, cotter	1						X					
	15	93306-30003	BEARING (B6300Z)	1						X					
	16	93105-47007	OIL SEAL (SDD-47-58-7)	1						X					
	17	93410-20009	CIRCLIP (S-20)	1						X					
	18	90201-20269	WASHER, plate (183-25147-00)	2						X					
	19	183-25149-00	CLUTCH, meter	1						X					
	20	296-25135-00	GEAR, drive (27T)	1						X					
	21	1K8-25016-00-Y8	BRAKE SHOE PLATE ASS'Y	1						X					Silver
	22	90480-10068	GROMMET	1						X					
	23	538-25351-01	CAMSHAFT	1						X					
	24	326-25330-10	BRAKE SHOE COMP.	2						X					
	25	90506-16034	SPRING, tension (102-25333-00)	2						X					
	26	538-25155-00	LEVER, camshaft	1						X					
	27	90101-06278	BOLT, hexagon	1						X					
	28	95301-06600	NUT, hexagon	1						X					
	29	90201-07076	WASHER, plate (183-25146-00)	1						X					
	30	296-25138-00	GEAR, meter (11T)	1						X					
	31	109-25136-00	BUSHING	1						X					
	32	93104-07003	OIL SEAL (SO-7-14-4)	1						X					
	33	93210-14104	O-RING (2.4-13.8)	1						X					

Fig. 27 FRONT WHEEL (FS1)



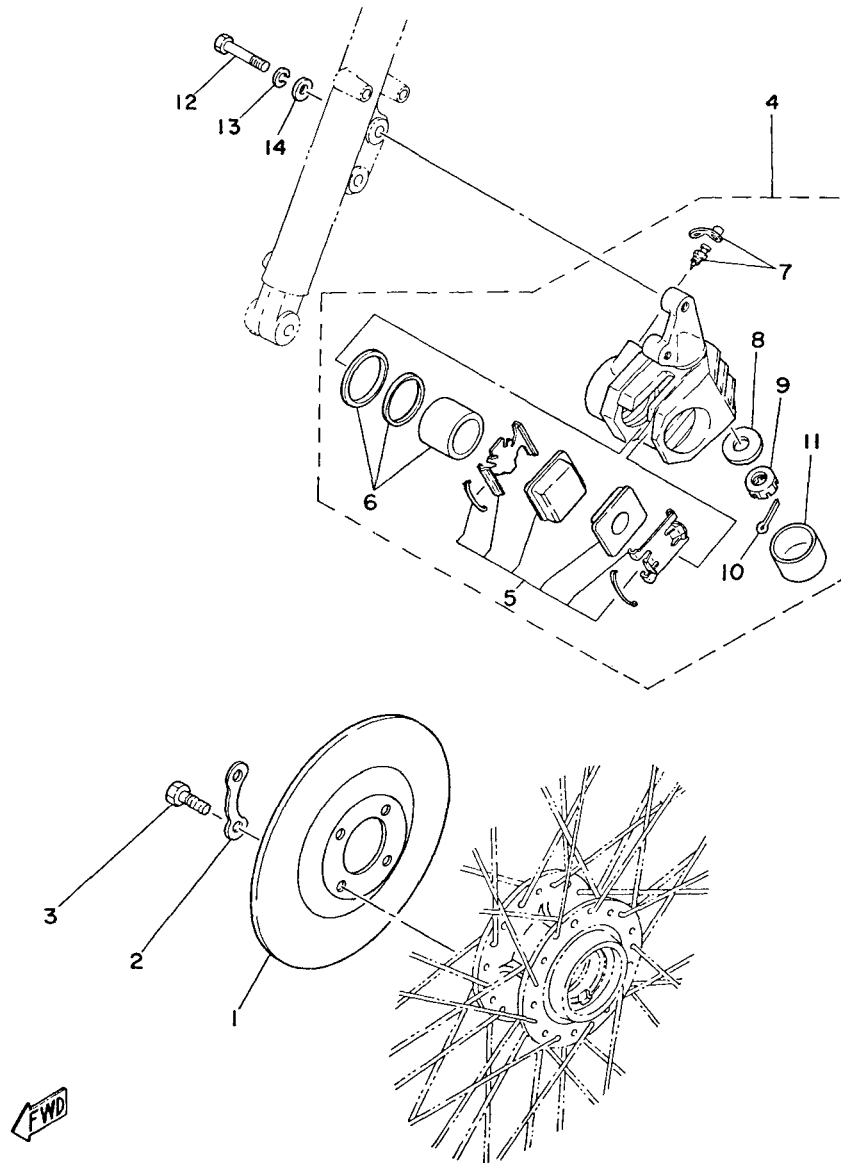
Ref.No.	Part No.	Description	Q'ty												Remarks				
				FS1	FSIDX	FRANCE	HOLLAND	WEST GERMANY	SWITZERLAND	BELGIUM	FINLAND	DENMARK	NORWAY	AUSTRIA		ENGLAND	ITALY		
27-34	102-25137-00	RING, stop	1																
35	90171-10004	NUT, castle (353-25182-00)	1																
36	92901-10600	WASHER, plate	1																

Fig. 28 FRONT WHEEL (FS1-DX)



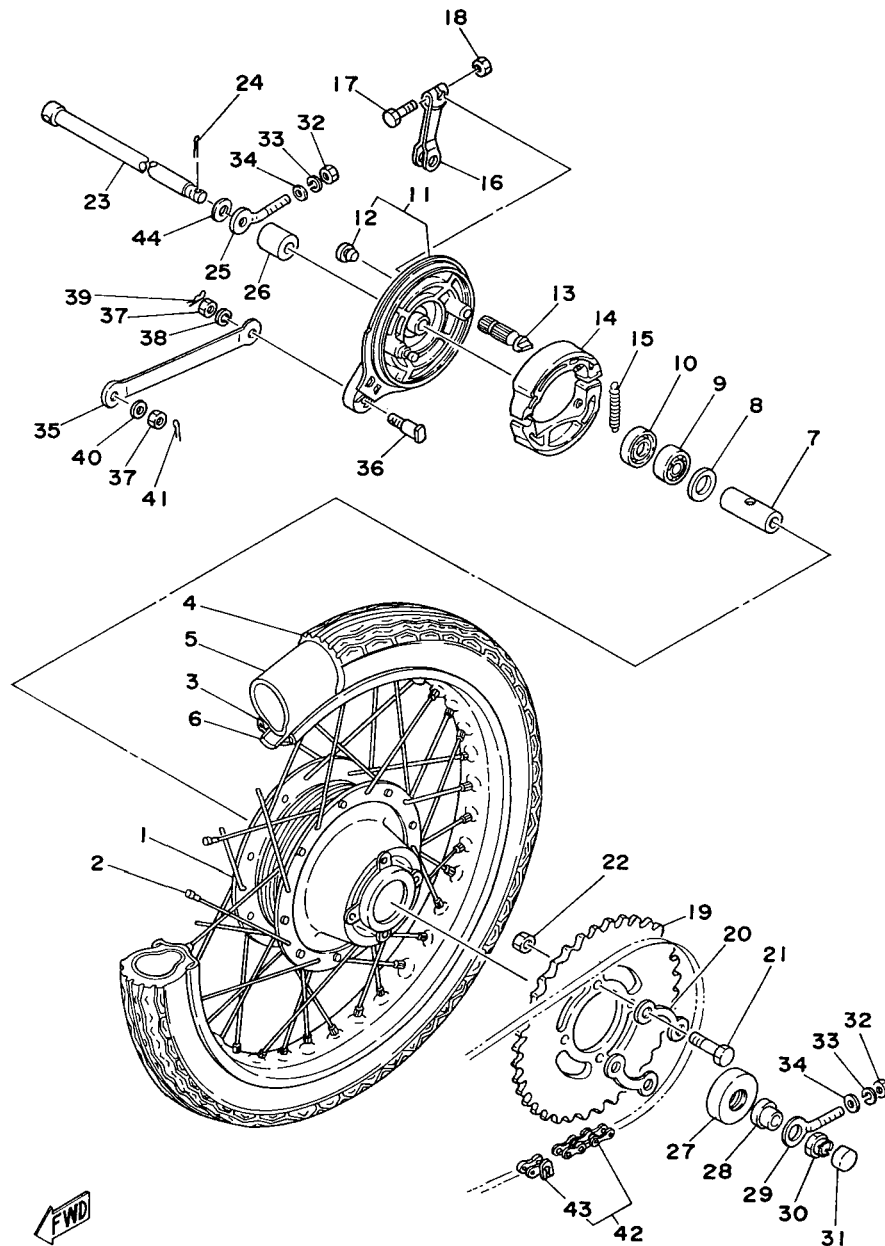
Ref.No.	Part No.	Description	Q'ty	FRANCE											Remarks				
				FS1	FS1DX	HOLLAND	FRANCE	WEST GERMANY	SWITZERLAND	BELGIUM	SWEDEN	FINLAND	DENMARK	NORWAY		AUSTRIA	ENGLAND	ITALY	
28-1	390-25111-00	HUB, front	1		x	x	x												
2	481-25104-00	SPOKE SET	1s		x	x	x												
3	94416-17149	RIM, front (1.60-17)	1		x														
	94414-17090	RIM, front (1.40-17)	1				x	x											
4	94330-17023	BAND, rim (2.50-17)	1		x	x	x												
5	94225-17005	TUBE, front (2.50-17)	1		x	x	x												
6	94125-17259	TIRE, front (2.50-17-4PR)	1		x	x	x												
7	90560-12138	SPACER, bearing (183-25117-00)	1		x	x	x												
8	109-25315-00	FLANGE, spacer	1		x	x	x												
9	93306-30103	BEARING (B6301Z)	2		x	x	x												
10	341-25149-00	CLUTCH, meter	1		x	x	x												
11	341-25846-00	RETAINER, clutch meter	1		x	x	x												
12	341-25137-00	RING, stop	1		x	x	x												
13	90201-25286	WASHER, plate (341-25147-00)	1		x	x	x												
14	481-25135-00	GEAR, drive (27T)	1		x	x	x												
15	90201-25490	WASHER, plate (152-17226-00)	1		x	x	x												
16	93105-45017	OIL SEAL (SDD-45-56-6)	1		x	x	x												
17	390-25191-01	HOUSING, gear unit	1		x	x	x												
18	481-25138-00	GEAR, meter (11T)	1		x	x	x												
19	102-18416-00	WASHER (6.2-9.5-0.8)	1		x	x	x												
20	306-25136-00	BUSHING	1		x	x	x												
21	92901-12600	WASHER, plate	2		x	x	x												
22	91609-20014	PIN, spring	1		x	x	x												
23	367-25381-00	SHAFT, wheel	1		x	x	x												
24	91401-30025	PIN, cotter	1		x	x	x												
25	93106-20002	OIL SEAL (DD-20-37-8)	1		x	x	x												
26	90387-12670	COLLAR	1		x	x	x												
27	481-25118-01	COVER, hub dust	1		x	x	x												
28	90171-12015	NUT, castle	1		x														
	90171-12005	NUT, castle	1			x	x												
29	478-25188-00	CAP	1		x														

Fig. 29 DISK BRAKE · CALIPER (FS1-DX)



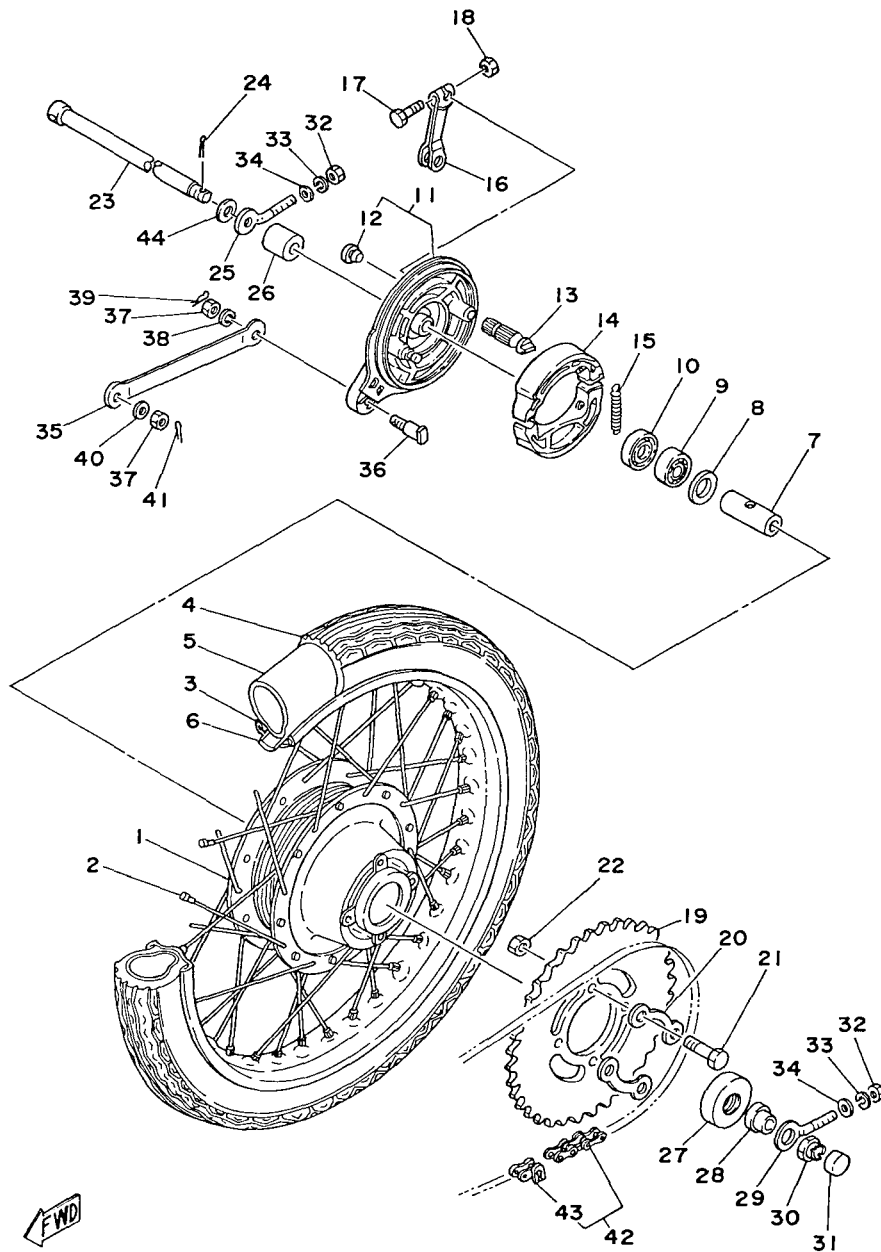
Ref.No.	Part No.	Description	Q'ty	Region											Remarks			
				FS1	FS1DX	FRANCE	HOLLAND	SWITZERLAND	GERMANY	ITALY	ENGLAND	AUSTRIA	NORWAY	DENMARK		FINLAND		
29- 1	390-25711-00	DISK, brake	1			x	x	x		x								
2	390-25412-00	WASHER, lock	2			x	x	x		x								
3	90109-08367	BOLT	4			x	x	x		x								
4	2R6-25810-01	CALIPER ASS'Y	1							x	x							
	2R6-25810-30	CALIPER ASS'Y	1			x												
5	2R6-W0045-00	. PAD SET, caliper	1s			x	x	x		x								
6	404-W0057-00	. PISTON SET, caliper	1s			x	x	x		x								
7	404-20000-30	. SCREW BREED ASS'Y	1s			x	x	x		x								
8	90201-12733	. WASHER, plate	1			x	x	x		x								
9	90171-12026	. NUT, castle	1							x	x							
	90171-12027	. NUT, castle	1			x												
10	91490-30020	. PIN, cotter	1			x	x	x		x								
11	478-25188-00	. CAP	1			x												
12	90101-08244	BOLT, hexagon	2			x	x	x		x								
13	92901-08100	WASHER, spring	2			x	x	x		x								
14	92901-08200	WASHER, plain	2			x	x	x		x								

Fig. 30 REAR WHEEL



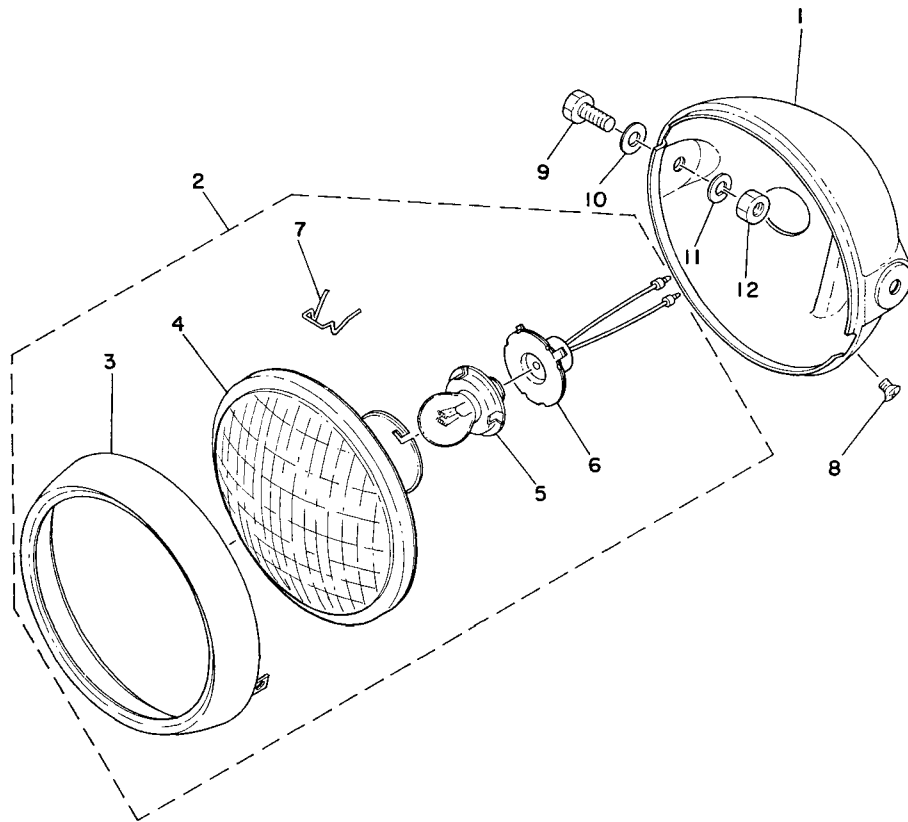
Ref.No.	Part No.	Description	Q'ty		FRANCE	HOLLAND	SWITZERLAND	W. GERMANY	BELGIUM	FINLAND	DENMARK	NORWAY	AUSTRIA	ENGLAND	ITALY	Remarks
			FS1	FS1DX												
30- 1	462-25311-01-35	HUB, rear	1	1												Silver
2	296-25304-00	SPOKE SET	1s	1s												
3	94416-17096	RIM, rear (1.60-17)		1												
	94414-17003	RIM, rear (1.40-17)		1												
4	94127-17260	TIRE, rear (2.75-17-6PR)		1												
	94125-17259	TIRE, rear (2.50-17-4PR)		1												
5	94227-17032	TUBE, rear (2.75-17)		1												
	94225-17005	TUBE, rear (2.50-17)		1												
6	94330-17023	BAND, rim (3.00-17)		1												
7	90560-12170	SPACER		1												
8	102-25315-00	FLANGE, spacer		1												
9	93306-30101	BEARING (B6301)		2												
10	93104-21016	OIL SEAL (SO-21-37-7)		1												
11	355-25026-00-35	BRAKE SHOE PLATE ASS'Y		1												Silver
12	90480-10068	GROMMET		1												
13	538-25351-01	CAMSHAFT		1												
14	326-25330-10	BRAKE SHOE COMP.		2												
15	90506-16034	SPRING, tension (102-25333-00)		2												
16	538-25355-00	LEVER, camshaft		1												
17	90101-06278	BOLT, hexagon		1												
18	90185-06034	NUT U		1												
	95301-06600	NUT, hexagon		1												
19	288-25444-10-33	GEAR, sprocket wheel (44T)		1												
	288-25445-10-33	GEAR, sprocket wheel (45T)		1												
	462-25443-10-33	GEAR, sprocket wheel (43T)		1												
20	101-25412-00	WASHER, lock		2												
21	90109-08319	BOLT (109-25411-00)		4												
22	90170-08158	NUT, hexagon		4												
23	353-25381-00	SHAFT, wheel		1												
24	91401-20020	PIN, cotter		1												
25	102-25389-00	PULLER, chain right		1												
26	90387-12412	COLLAR (102-25383-00)		1												
27	93106-20002	OIL SEAL (DD-20-37-8)		1												

Fig. 30 REAR WHEEL



Ref.No.	Part No.	Description	Q'ty		FRANCE	HOLLAND	W. GERMANY	SWITZERLAND	BELGIUM	SWEDEN	FINLAND	NORWAY	DENMARK	AUSTRIA	ENGLAND	ITALY	Remarks
			FS1	FSIDX													
30-28	90387-12670	COLLAR	1	1					x	x	x						
29	1U0-25388-00	PULLER, chain left	1	1					x	x	x						
30	90171-10014	NUT, castle	1					x									
	90171-10004	NUT, castle	1	1						x	x						
31	478-25335-00	CAP	1					x									
32	95301-06600	NUT, hexagon	2	2				x	x	x							
33	92901-06100	WASHER, spring	2	2				x	x	x							
34	92901-06600	WASHER, plate	2	2				x	x	x							
35	102-25371-00	BAR, tension	1	1				x	x	x							
36	90109-08183	BOLT (102-25373-00)	1	1				x	x	x							
37	95301-08700	NUT, hexagon	2	2				x	x	x							
38	92901-08100	WASHER, spring	1	1				x	x	x							
39	90468-12007	CLIP (102-25375-00)	1	1				x	x	x							
40	92901-08600	WASHER, plate	1	1				x	x	x							
41	91401-20012	PIN, cotter	1	1				x	x	x							
42	94580-13100	CHAIN (DK420M-100L)	1					x	x								
	94580-13098	CHAIN (DK420M-98L)	1	1						x							
43	94604-20001	JOINT, chain	1	1				x	x	x							
44	90201-12174	WASHER, plate	1	1					x	x							
	90201-12657	WASHER, plate	1					x									

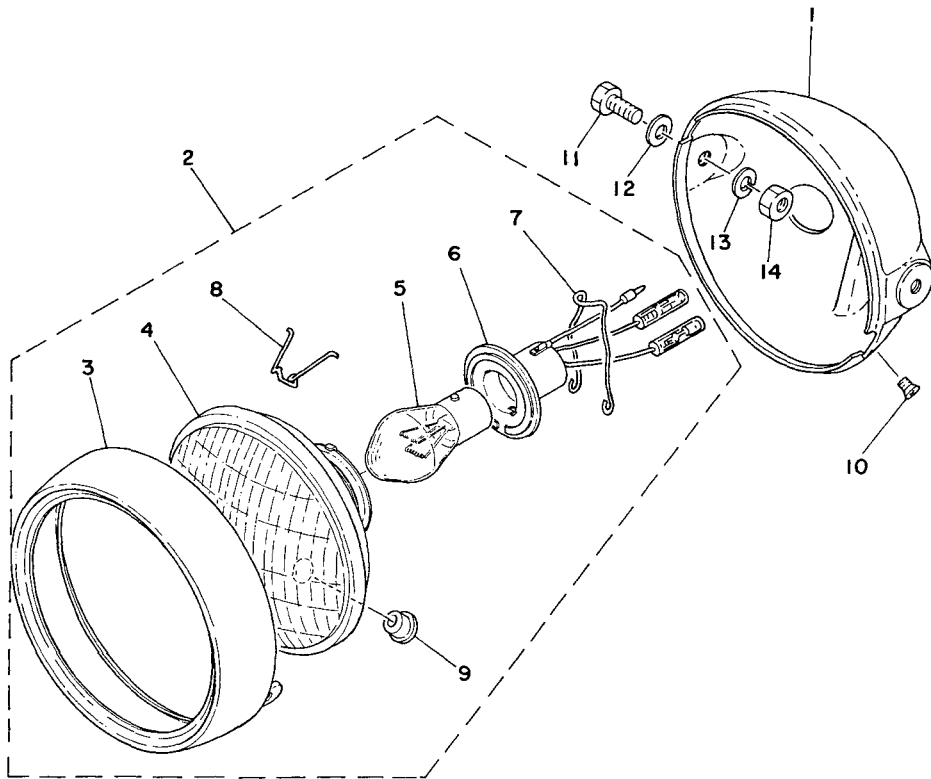
Fig. 31 HEAD LAMP 1



Ref.No.	Part No.	Description	Q'ty	Country											Remarks		
				FRANCE	HOLLAND	GERMANY	WEST GERMANY	SWITZERLAND	BEIJING	FINLAND	DENMARK	NORWAY	AUSTRIA	ENGLAND		ITALY	
31- 1	241-84311-00-33	BODY, head lamp	1		x	x											Yamaha Black
	468-84103-40	HEAD LAMP UNIT ASS'Y	1		x												
	260-84110-00	HEAD LAMP UNIT ASS'Y	1				x										
	195-84315-01	. RIM, head lamp	1		x	x											
	468-84120-40	. LENS ASS'Y	1		x												
	195-84320-00	. LENS ASS'Y	1				x										
	*	. BULB (6V-15W)	1		x												
	104-84114-00	. BULB (6V-15/15W)	1				x										
	468-84112-40	. SOCKET CORD ASS'Y	1		x												
	241-84312-00	. SOCKET CORD ASS'Y	1					x									
	195-84324-00	. SPRING, reflector set	3		x	x											
	90152-05005	SCREW, ovalhead	1		x	x											
	97301-08020	BOLT, hexagon	2		x	x											
	929C1-08200	WASHER, plain	2		x	x											
	92901-08100	WASHER, spring	2		x	x											
	95301-08700	NUT, hexagon	2		x	x											

*; The parts marked with * in the part No. column are not supplied with by Yamaha, those have to be found locally.

Fig. 32 HEAD LAMP 2

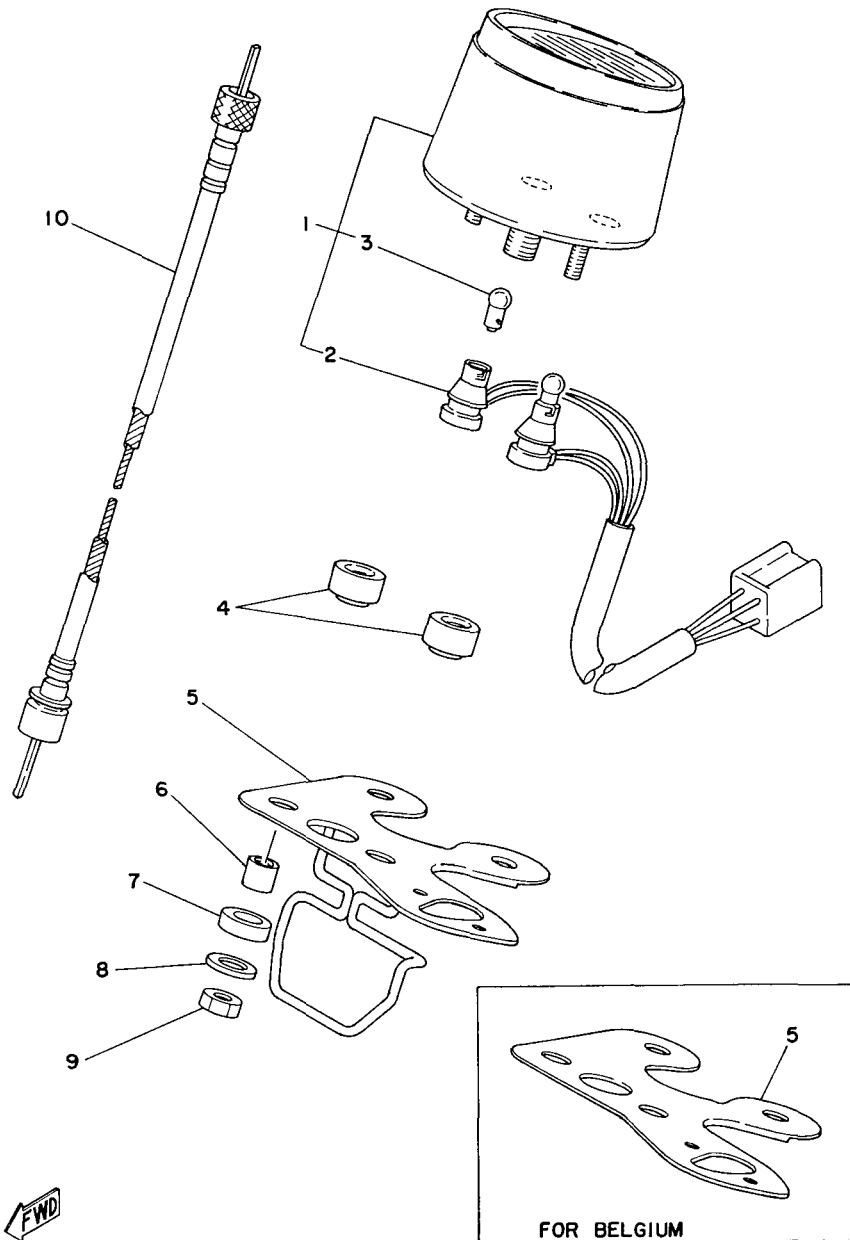


Ref.No.	Part No.	Description	Q'ty		FRANCE	HOLLAND	SWITZERLAND	W. GERMANY	BELGIUM	SWEDEN	FINLAND	DENMARK	NORWAY	AUSTRIA	ENGLAND	ITALY	Remarks	
			FS1	FSIDX														
32- 1	241-84311-00-33	BODY, head lamp	1	1														Yamaha Black
	2	381-84103-91	HEAD LAMP UNIT ASS'Y	1	1													
		473-84103-40	HEAD LAMP UNIT ASS'Y	1	1													
	3	290-84115-21	. RIM, head lamp	1	1													
	4	381-84120-91	. LENS ASS'Y	1	1													
		473-84120-40	. LENS ASS'Y	1	1													
	5	*	. BULB (6V-15/15W)	1	1													
		*	. BULB (6V-25/25W)	1	1													
	6	381-84112-91	. SOCKET CORD ASS'Y	1	1													
		473-84112-40	. SOCKET CORD ASS'Y	1	1													
	7	308-84135-21	. SPRING	1	1													
	8	290-84124-21	. SPRING, reflector set	3	3													
	9	381-84154-90	. BUSHING	1	1													
	10	90152-05005	SCREW, ovalhead	1	1													
	11	97301-08020	BOLT, hexagon	2	2													
	12	92901-08200	WASHER, plain	2	2													
	13	92901-08100	WASHER, spring	2	2													
	14	95301-08700	NUT, hexagon	2	2													



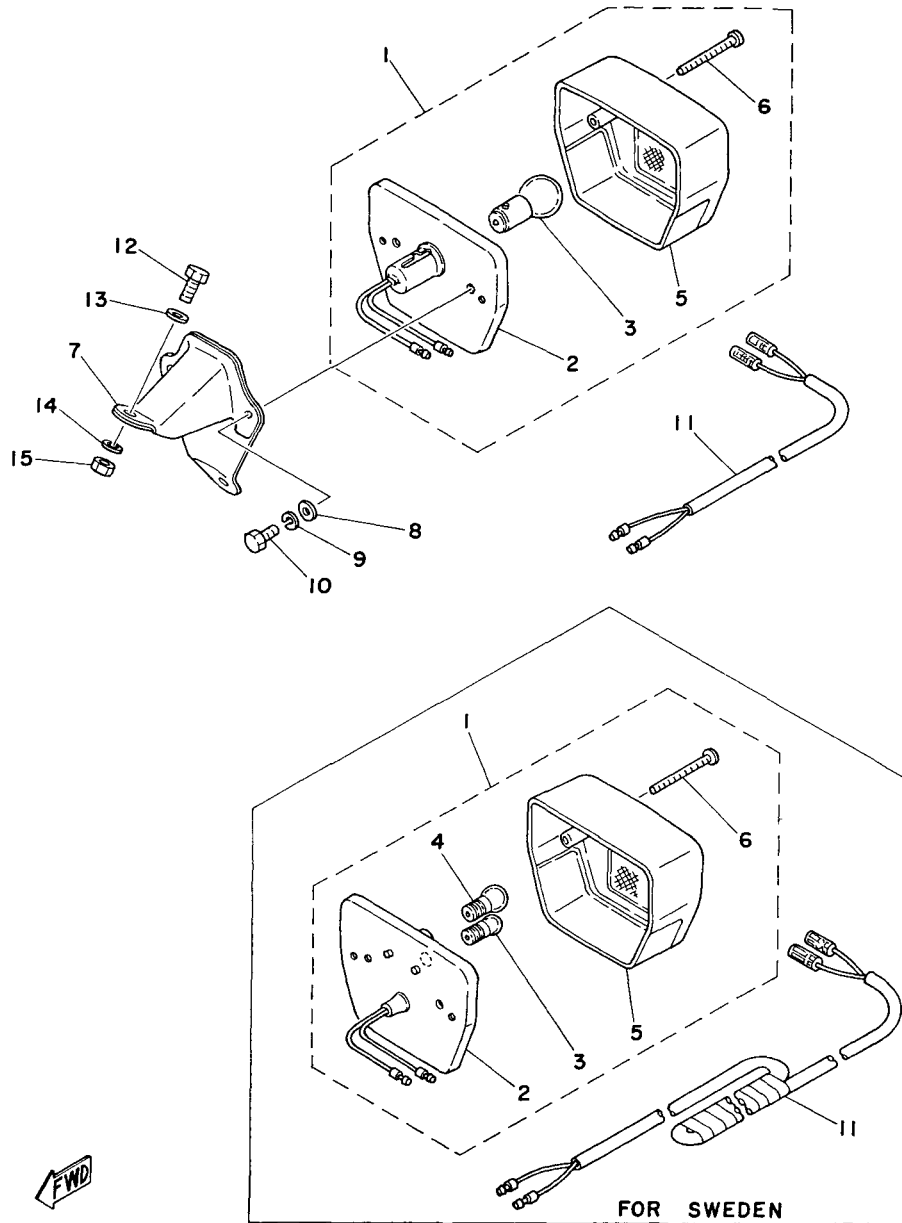
*; The parts marked with * in the part No. column are not supplied with by Yamaha, those have to be found locally.

Fig. 33 SPEEDOMETER



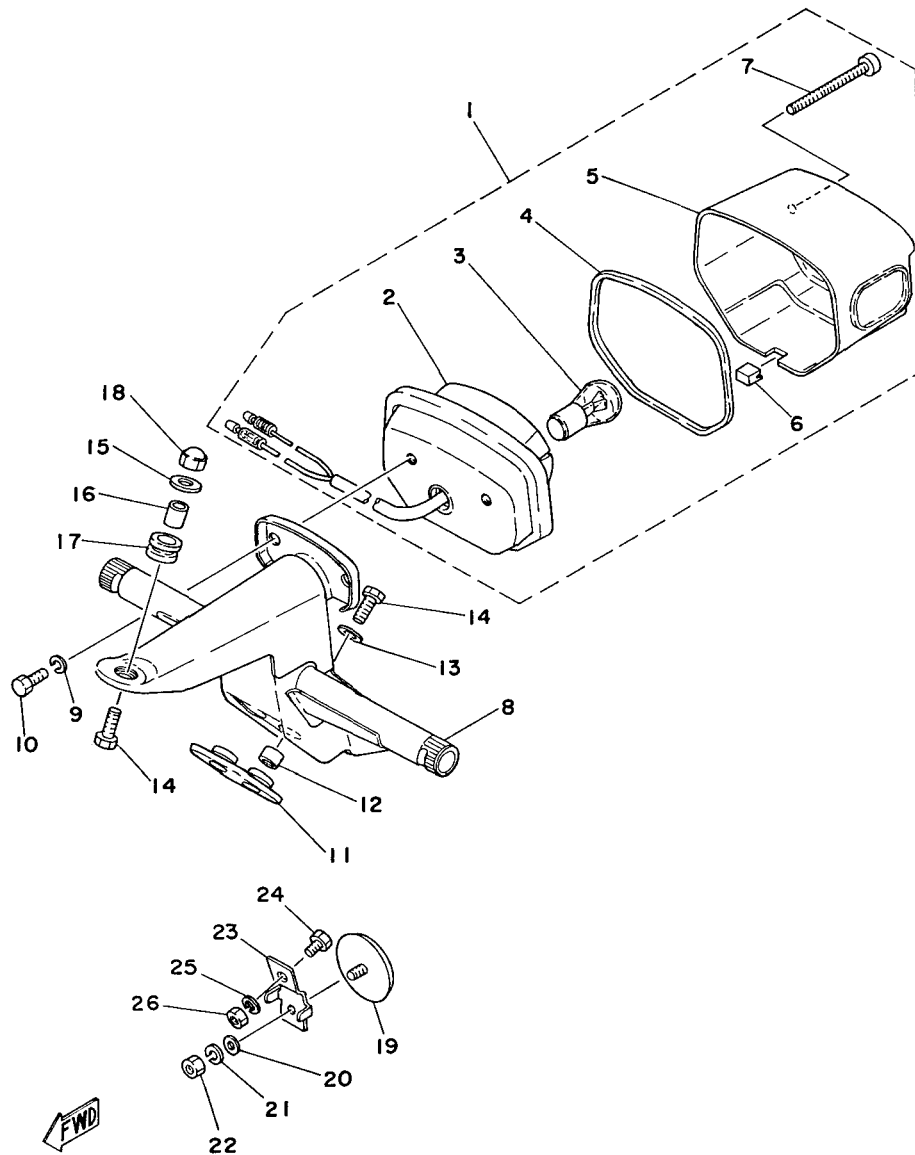
Ref.No.	Part No.	Description	Q'ty	Country												Remarks
				FS1	FS1DX	FRANCE	HOLLAND	GERMANY	SWITZERLAND	BELGIUM	SWEDEN	FINLAND	DENMARK	AUSTRIA	NORWAY	
33-1	3F4-83510-F0	SPEEDOMETER ASS'Y	1	1		x	x	x	x	x	x	x	x	x	x	Km/h
	2W0-83520-00	. SOCKET CORD ASS'Y	1	1		x	x	x	x	x	x	x	x	x		
	122-83516-10	. BULB (6V-3W)	2	2		x	x	x	x	x	x	x	x	x		
	1M3-83513-00	DAMPER 1	2	2		x	x	x	x	x	x	x	x	x		
	3F2-83519-00-98	BRACKET, speedometer	1	1		x		x		x						Low Gloss Black
	1U0-83519-00-98	BRACKET, speedometer		1					x							Low Gloss Black
	355-83522-00	COLLAR	2	2		x	x	x		x						
	355-83526-00	DAMPER 2	2	2		x	x	x		x						
	355-83524-00	WASHER, special	2	2		x	x	x		x						
	95301-06600	NUT, hexagon	2	2		x	x	x		x						
	260-83550-01	SPEEDOMETER CABLE ASS'Y		1						x						
	481-83550-01	SPEEDOMETER CABLE ASS'Y		1		x		x	x							

Fig. 34 TAIL LAMP 1



Ref.No.	Part No.	Description	Q'ty		FRANCE	HOLLAND	SWITZERLAND	W. GERMANY	BELGIUM	FINLAND	DENMARK	NORWAY	AUSTRIA	ENGLAND	ITALY	Remarks
			FS1	FS1DX												
34- 1	1X6-84510-A0	TAIL LAMP UNIT ASS'Y	1	1												
	1Y6-84510-20	TAIL LAMP UNIT ASS'Y		1												
2	1X6-84511-00	. BASE, tail lamp	1	1												
	1Y6-84511-20	. BASE, tail lamp		1												
3	1X4-84514-00	. BULB, tail lamp (6V-2W)	1	1												
	122-84514-30	. BULB, tail lamp (6V-17/5.3W)		1												
4	1X4-84535-00	. BULB, stop lamp (6V-5W)	1	1												
5	1Y1-84521-30	. LENS, tail lamp	1	1												
6	98511-03045	. SCREW, lens fitting	2	2												
7	1X4-84551-00-35	BRACKET, licence	1	1												Silver
8	92901-05600	WASHER, plate	2	2												
9	92901-05100	WASHER, spring	2	2												
10	97301-05010	BOLT, hexagon	2	2												
11	1X4-84517-00	CORD, tail lamp		1												
	1V9-84517-02	CORD, tail lamp		1												
12	97301-06012	BOLT, hexagon	3	3												
13	92901-06600	WASHER, plate	3	3												
14	92901-06100	WASHER, spring	3	3												
15	95301-06600	NUT, hexagon	3	3												

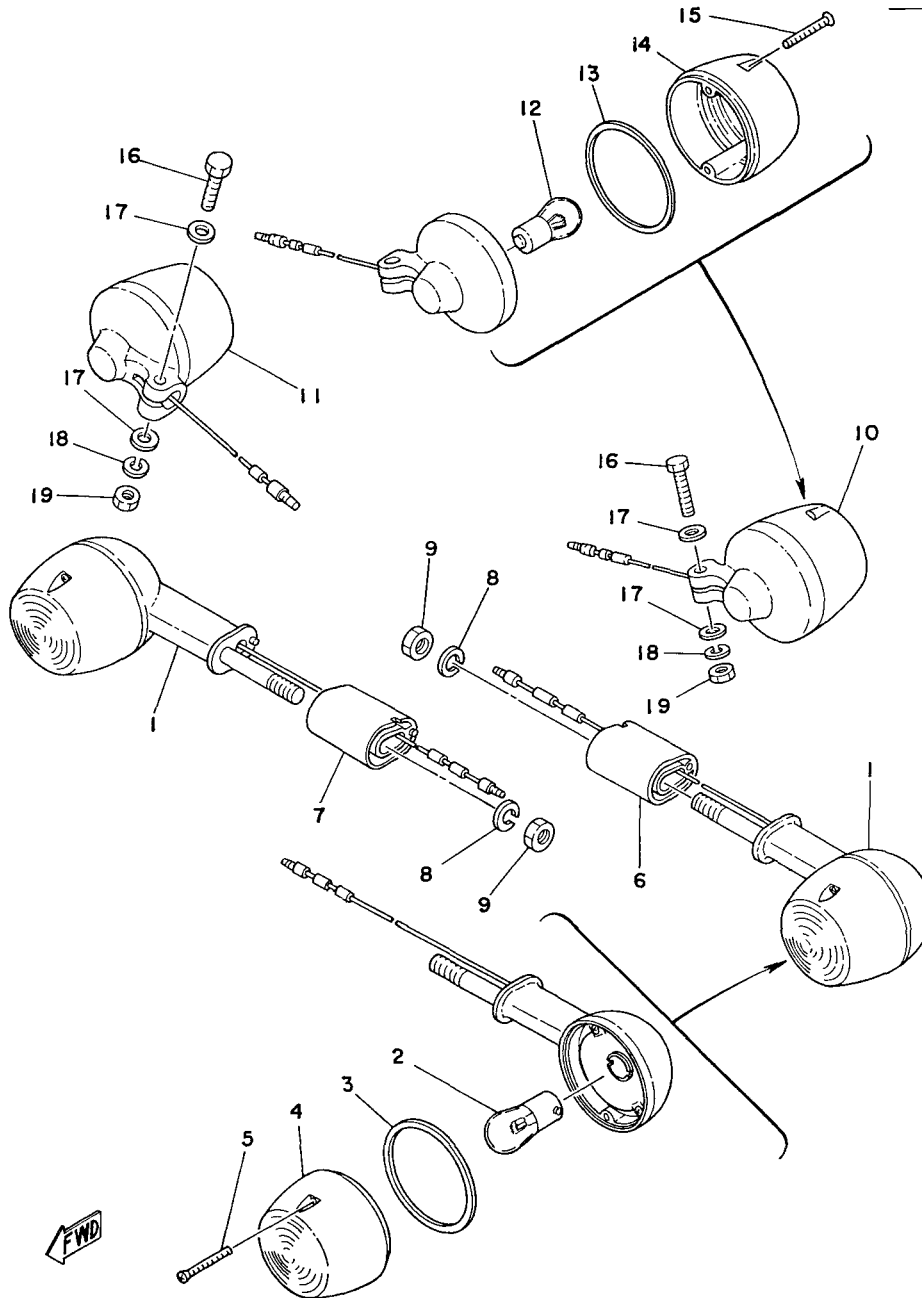
Fig. 35 TAIL LAMP 2



Ref.No.	Part No.	Description	Q'ty	FRANCE	HOLLAND	GERMANY	SWITZERLAND	NETHERLANDS	FINLAND	DENMARK	NORWAY	AUSTRIA	ITALY	Remarks
				FS1	FS1DX									
35-	1	1Y2-84510-40	TAIL LAMP UNIT ASS'Y	1	x							x		
	2	1E7-84711-40	. BASE, tail lamp	1	x							x		
	3	*	. BULB (6V-21/5W)	1	x							x		
	4	296-84523-00	. GASKET, tail lens	1	x							x		
	5	543-84521-41	. LENS, tail lamp	1	x							x		
	6	278-84718-40	. GROMMET	1	x							x		
	7	127-84524-30	. SCREW, lens fitting	2	x							x		
	8	1Y2-84551-40-35	BRACKET, license	1	x							x	Silver	
	9	92903-06100	WASHER, spring	2	x							x		
	10	97303-06012	BOLT, hexagon	2	x							x		
	11	214-84553-01	DAMPER	1	x							x		
	12	90387-06241	COLLAR (6.2-8.5-10.5)	2	x							x		
	13	90201-06059	WASHER, plate (838-77728-00)	2	x							x		
	14	97301-06020	BOLT, hexagon	3	x							x		
	15	90209-06095	WASHER (120-28323-00)	1	x							x		
	16	90387-07390	COLLAR (214-21633-00)	1	x							x		
	17	90480-14102	GROMMET (214-21717-00)	1	x							x		
	18	95303-06800	NUT, crown	1	x							x		
	19	449-85131-01	REFLECTOR	1	x							x		
	20	92903-05600	WASHER, plate	1								x		
	21	92903-05100	WASHER, spring	1								x		
		92901-05100	WASHER, spring	1	x									
	22	95303-05600	NUT, hexagon	1								x		
		95301-05700	NUT, hexagon	1	x									
	23	1Y2-85132-00	BRACKET, reflector	1	x									
		1Y4-85112-00-35	BRACKET, reflector	1										Silver
	24	97301-06010	BOLT, hexagon	1	x									
	25	92901-06100	WASHER, spring	1	x									
	26	95301-06600	NUT, hexagon	1	x									

*; The parts marked with * in the part No. column are not supplied with by Yamaha, those have to be found locally.

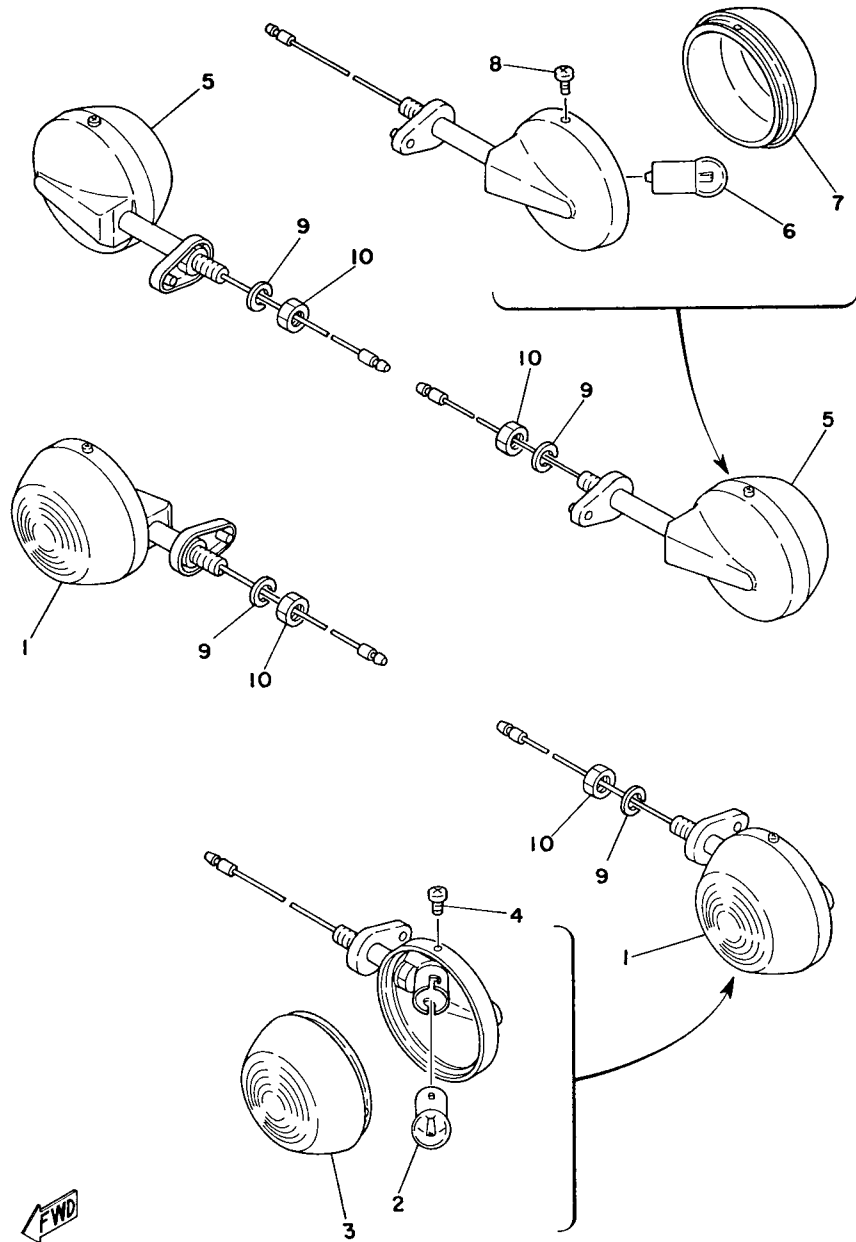
Fig. 36 FLASHER LAMP 1



Ref.No.	Part No.	Description	Q'ty	FS1 FSIDX											Remarks		
				FRANCE	HOLLAND	W. GERMANY	SWITZERLAND	BELGIUM	SWEDEN	FINLAND	DENMARK	NORWAY	AUSTRIA	ENGLAND		ITALY	
36-1	353-83310-30-93	FRONT FLASHER LAMP ASS'Y	2	x													
	1L1-83310-10-93	FRONT FLASHER LAMP ASS'Y	2														x
2	*	. BULB (6V-21W)	2	x													
	152-83311-10	. BULB (6V-10W)	2														x
3	183-83313-70	. GASKET, flasher lens	2	x													x
4	183-83312-70	. LENS, flasher	2	x													
	183-83332-21	. LENS, flasher	2														x
5	183-83333-71	. SCREW, lens fitting	4	x													
	183-83333-21	. SCREW, lens fitting	4														x
6	353-83316-30	COLLAR, flasher 1	1	x													x
7	353-83326-30	COLLAR, flasher 2	1	x													x
8	92901-08100	WASHER, spring	2	x													x
9	95301-08700	NUT, hexagon	2	x													x
10	474-83330-30-93	REAR FLASHER LAMP ASS'Y, left	1	x													
11	474-83340-30-93	REAR FLASHER LAMP ASS'Y, right	1	x													
	1Y4-83330-70-93	REAR FLASHER LAMP ASS'Y	2														x
12	*	. BULB (6V-21W)	2	x													
	152-83311-10	. BULB (6V-10W)	2														x
13	306-83313-40	. GASKET, flasher lens	2	x													x
14	306-83332-40	. LENS, flasher	2	x													
15	183-83333-71	. SCREW, lens fitting	4	x													x
16	97303-06030	BOLT, hexagon	2	x													x
17	92903-06200	WASHER, plain	4	x													x
18	92903-06100	WASHER, spring	2	x													x
19	95303-06600	NUT, hexagon	2	x													x

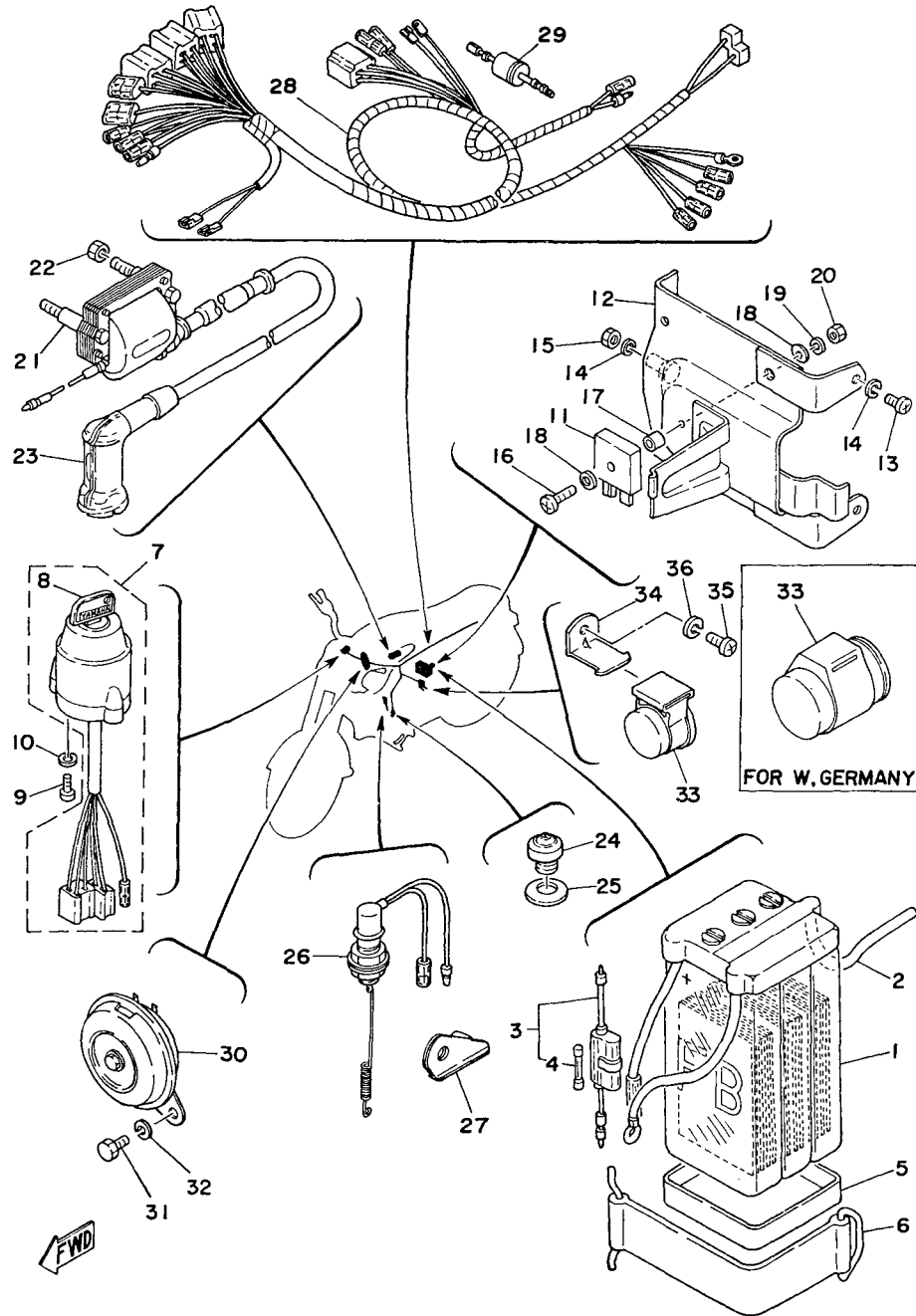
*; The parts marked with * in the part No. column are not supplied with by Yamaha, those have to be found locally.

Fig. 37 FLASHER LAMP 2



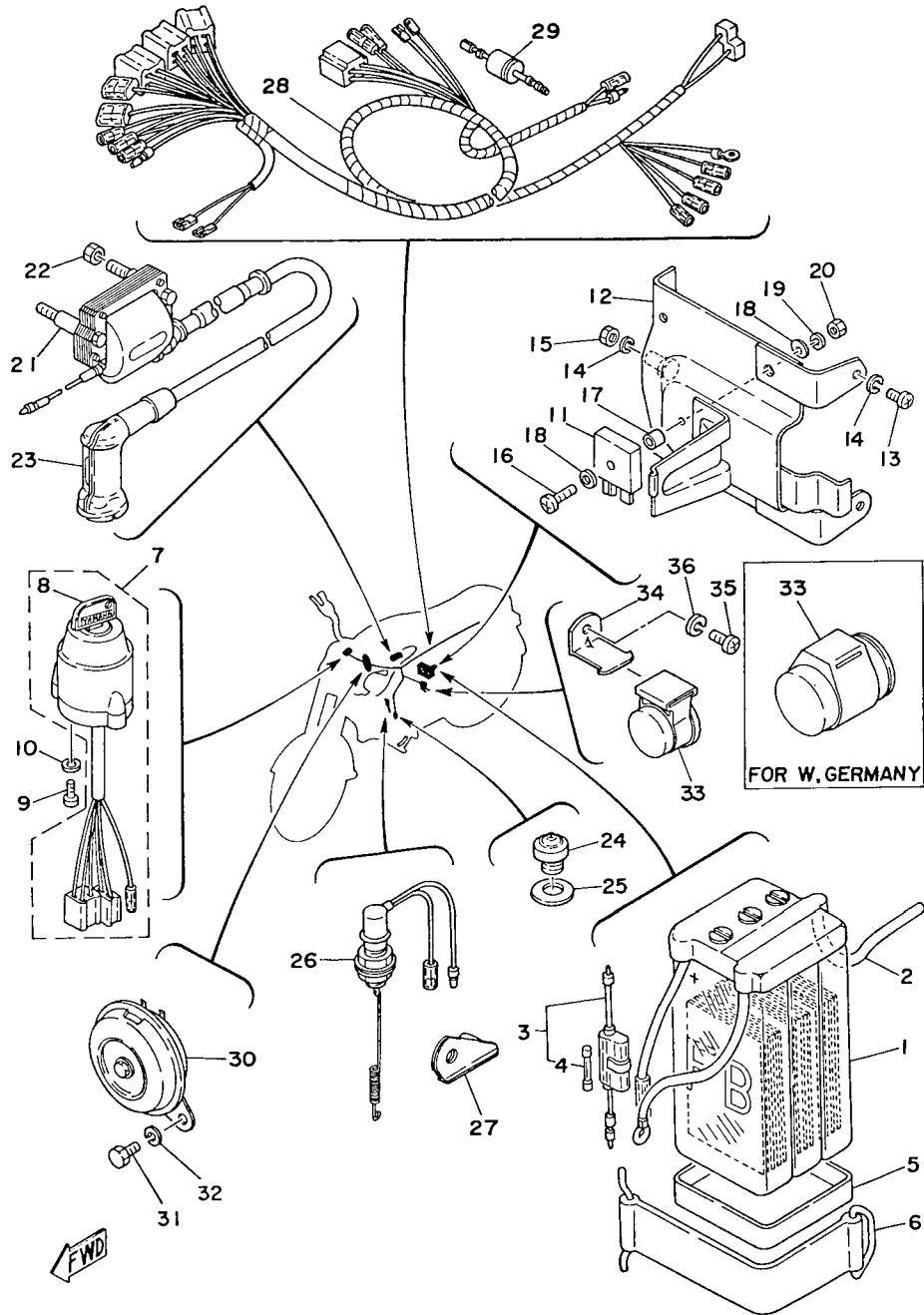
Ref.No.	Part No.	Description	Q'ty		FRANCE	HOLLAND	SWITZERLAND	WEST GERMANY	BELGIUM	SWEDEN	FINLAND	DENMARK	NORWAY	AUSTRIA	ENGLAND	ITALY	Remarks
			FS1	FSIDX													
37- 1	2M6-83310-N0-93	FRONT FLASHER LAMP ASS'Y	2						x								
	2M5-83310-N0-93	FRONT FLASHER LAMP ASS'Y	2	2						x							
2	152-83311-10	. BULB (6V-10W)	2	2					x	x							
3	1Y1-83312-01	. LENS, flasher	2	2					x	x							
4	2N3-83333-N0	. SCREW, lens fitting	4	4					x	x							
5	3F5-83330-N0	REAR FLASHER LAMP ASS'Y	2						x								
	3F6-83330-N0	REAR FLASHER LAMP ASS'Y	2	2						x							
6	152-83311-10	. BULB (6V-10W)	2	2					x	x							
7	1Y1-83312-01	. LENS, flasher	2	2					x	x							
8	2N3-83333-N0	. SCREW, lens fitting	4	4					x	x							
9	92901-08100	WASHER, spring	4	4					x	x							
10	95301-08700	NUT, hexagon	4	4					x	x							

Fig. 38 ELECTRICAL



Ref.No.	Part No.	Description	Q'ty		FRANCE	HOLLAND	W. GERMANY	SWITZERLAND	BELGIUM	SWEDEN	FINLAND	DENMARK	NORWAY	AUSTRIA	ENGLAND	ITALY	Remarks
			FSI	FSIDX													
38-1	104-82110-10	BATTERY ASS'Y (6N4A-4D)	U.R.	U.R.													GS
	104-82110-21	BATTERY ASS'Y (6N4A-4D)	1	1			X	X	X								FURUKAWA
2	90445-08171	HOSE (123-82112-00)	1	1			X	X	X								
3	116-82150-00	FUSE HOLDER ASS'Y	1	1			X	X	X								
4	116-82151-00	. FUSE (6V-10A)	2	2			X	X	X								
5	104-82122-00	SEAT, battery	1	1			X	X	X								
6	1Y1-82131-00	BAND, battery	1	1			X	X	X								
7	3F2-82508-45	MAIN SWITCH ASS'Y	1	1			X										
	3F4-82508-20	MAIN SWITCH ASS'Y	1	1											X		
	3F6-82508-20	MAIN SWITCH ASS'Y	1	1									X	X			
8	526-82579-00	. CAP, key	2	2			X										
9	98501-05012	SCREW, panhead	2	2			X	X	X						X		
10	92901-05100	WASHER, spring	2	2			X	X	X						X		
11	353-81970-63	RECTIFIER ASS'Y	1	1			X	X	X						X		
12	1Y1-81975-00	PLATE, rectifier fitting	11	1			X	X	X						X		
13	92501-06012	SCREW, panhead	2	2			X	X	X						X		
14	92901-06100	WASHER, spring	3	3			X	X	X						X		
15	95301-06600	NUT, hexagon	1	1			X	X	X						X		
16	98501-05025	SCREW, panhead	1	1			X	X	X						X		
17	355-81973-00	COLLAR, rectifier (5.3-9-6.5)	1	1			X	X	X						X		
18	92901-05200	WASHER, plain	2	2			X	X	X						X		
19	92901-05100	WASHER, spring	1	1			X	X	X						X		
20	95301-05600	NUT, hexagon	1	1			X	X	X						X		
21	355-82310-40	IGNITION COIL ASS'Y	1	1			X	X	X						X		
22	95301-06600	NUT, hexagon	2	2			X	X	X						X		
23	808-82370-10	PLUG CAP ASS'Y	1	1			X	X	X						X		
24	136-82540-00	NEUTRAL SWITCH ASS'Y	1	1			X	X	X						X		
25	90430-11034	GASKET	1	1			X	X	X						X		
26	205-82530-01	STOP SWITCH ASS'Y	1	1			X	X	X						X		
27	205-82539-00	STAY, stop switch	1	1			X	X	X						X		

Fig. 38 ELECTRICAL



Ref.No.	Part No.	Description	Q'ty		FRANCE	HOLLAND	SWITZERLAND	BELGIUM	SWEDEN	FINLAND	DENMARK	AUSTRIA	ENGLAND	ITALY	Remarks
			FS1	FSIDX											
38-28	3F1-82590-20	WIRE HARNESS ASS'Y	1	1					x						
	3F2-82590-20	WIRE HARNESS ASS'Y		1		x									
	3F4-82590-20	WIRE HARNESS ASS'Y		1								x			
	3F5-82590-20	WIRE HARNESS ASS'Y		1				x							
29	3K7-81980-00	. ADJUSTER	1	1	x		x	x			x				
30	2A6-83371-10	HORN	1	1				x	x		x				
31	97301-06010	BOLT, hexagon	2	2				x	x		x				
32	92901-06100	WASHER, spring	2	2				x	x		x				
33	3F2-83350-40	FLASHER RELAY ASS'Y		1		x									
	3E1-83350-10	FLASHER RELAY ASS'Y		1				x	x		x				
34	474-83352-00	BRACKET, flasher relay	1	1		x		x	x		x				
35	92501-06012	SCREW, panhead	1	1		x		x	x		x				
36	92901-06100	WASHER, spring	1	1		x		x	x		x				

REPAIR KIT

Fig. 39 REPAIR KIT

Ref.No.	Part No.	Description	Q'ty		FRANCE	HOLLAND	W. GERMANY	SWITZERLAND	BELGIUM	FINLAND	DENMARK	NORWAY	AUSTRIA	ENGLAND	ITALY	Remarks
			FS1	FSIDX												
39- 1	3E8-11630-00	PISTON ASS'Y (STD)	1s	1s	X	X	X									
	3E8-11630-10	PISTON ASS'Y (1st O.S)	1s	1s	X	X	X									
	3E8-11630-20	PISTON ASS'Y (2nd O.S)	1s	1s	X	X	X									
2	3E8-11631-00-96	. PISTON (39.96mm STD)	1	1	X	X	X									
	3E8-11635-00	. PISTON (40.25mm 1st O.S)	1	1	X	X	X									} Ref. No. 3-8
	3E8-11636-00	. PISTON (40.50mm 2nd O.S)	1	1	X	X	X									
3	260-11610-02	. PISTON RING SET (STD)	1s	1s	X	X	X									
	260-11610-12	. PISTON RING SET (1st O.S)	1s	1s	X	X	X									
	260-11610-22	. PISTON RING SET (2nd O.S)	1s	1s	X	X	X									
4	102-11633-02	. PIN, piston	1	1	X	X	X									3-9
5	93450-13022	. CIRCLIP (132-11634-00)	2	2	X	X	X									3-10
6	538-11650-00	CONNECTING ROD ASS'Y	1s	1s	X	X	X									
7	538-11651-01	. ROD, connecting	1	1	X	X	X									3-4
8	257-11681-00	. PIN, crank	1	1	X	X	X									3-6
9	93310-41809	. BEARING, big end	1	1	X	X	X									3-5
10	93310-11268	. BEARING, small end	1	1	X	X	X									3-7
11	3F2-W0001-00	GASKET KIT		1s	X											
	3F5-W0001-00	GASKET KIT		1s		X										
	3F1-W0001-00	GASKET KIT		1s			X									
	3F4-W0001-00	GASKET KIT		1s				X								
12	3E1-11351-00	. GASKET, cylinder	1	1	X	X	X									1-11
13	1G3-11181-00	. GASKET, cylinder head		1	X											} 1-13
	517-11181-00	. GASKET, cylinder head		1		X	X									
	378-11181-60	. GASKET, cylinder head		1			X									
14	90430-12038	. GASKET (132-15353-00)	1	1	X	X	X									1-18
15	378-15451-60	. GASKET, crankcase cover	1	1	X	X	X									2-12
16	257-15463-00	. GASKET, carburetor cover	1	1	X	X	X									2-19
17	378-13621-60	. PACKING, valve seat	1	1	X	X										9-21
18	260-14184-00	. GASKET, float chamber	1	1	X	X	X									10-5
19	132-14613-00	. GASKET, exhaust	1	1	X	X	X									11-3
20	1J5-14714-00	. GASKET, muffler joint	1	1	X	X	X									11-5
21	126-13116-00	. GASKET, pump case		1	X	X										12-1
22	90430-04004	. GASKET (137-13187-00)		1	X	X										12-18

NUMERICAL INDEX

NUMERICAL INDEX

Part No.	Ref.No.	Part No.	Ref.No.	Part No.	Ref.No.	Part No.	Ref.No.	Part No.	Ref.No.	Part No.	Ref.No.
1A0-21518-00	17- 8	1X0-24161-00	24- 3	1Y1-26290-00	22-55	104-82122-00	38- 5	122-24612-01	24- 7	132-16346-00	2- 2
1A2-24786-00	26-13	1X3-26311-00	21-17	1Y1-26290-10	22-53	104-84114-00	31- 5	122-27112-00	16- 2	132-18113-01	7-10
1E7-84711-40	35- 2	1X4-26311-00	22-27	1Y1-26290-50	22-53	109-22141-00	15- 3	122-27413-00	16- 8	132-18140-01	6-17
1G3-11181-00	1-13	1X4-84514-00	34- 3	1Y1-26290-60	22-54	109-23125-00	18- 6	122-83516-10	33- 3	132-26341-10	21-21
1J3-25852-01	23- 5	1X4-84517-00	34-11	1Y1-26335-00	22-40	109-23143-00	18- 9	122-84514-30	34- 3	133-82131-00	14-30
1J3-25854-01	23- 3	1X4-84535-00	34- 4	1Y1-81975-00	38-12	109-23145-01	18- 8	126-13116-00	12- 1	134-14116-03	10-14
1J3-25855-01	23- 4	1X4-84551-00-35	34- 7	1Y1-82131-00	38- 6	109-25104-00	27- 2	126-24319-01	25-11	136-18542-00	6-15
1J3-25867-00	23- 7	1X5-14710-00	11- 6	1Y1-83312-01	37- 3	109-25136-00	27-31	127-14123-00	10-11	136-23415-00	20- 6
1J5-14713-00	11- 4	1X5-15420-60	2-11		37- 7	109-25315-00	28- 8	127-14124-23	10-26	136-82540-00	38-24
1J5-14714-00	11- 5	1X5-21510-00-93	17- 1	1Y1-84521-30	34- 5	109-27115-00	16- 5	127-14125-01	10-34	137-13137-00-10	12-13
1J5-21308-00	14-22	1X6-21610-00-93	17- 9	1Y2-13505-00	9-22	109-82820-12-94	21- 8	127-14131-00	10-20	137-13138-01	12-14
1J5-23480-00	20-17	1X6-22110-00-33	15- 1	1Y2-22110-00-33	15- 1	110-81345-21	13-13	127-14133-00	10-21	137-13176-00	12- 5
1K0-25875-01	23-14	1X6-81300-20	13- 1	1Y2-22210-20-93	15-17	110-81346-21	13- 8	127-14134-00	10-12	137-16356-00	4-10
1K0-83973-01	22- 3	1X6-81313-20	13- 5	1Y2-23340-30-33	18-20	110-81347-21	13-11	127-14137-00	10-18	137-83912-02-38	21- 3
1K8-25016-00-Y8	27-21	1X6-81350-20	13- 2		19-19	110-81348-21	13- 6	127-14141-14	10- 2	152-14174-00	10-29
1K8-81325-20	13- 9	1X6-84510-A0	34- 1	1Y2-84510-40	35- 1	116-81331-20	13-10	127-14141-16	10- 2	152-83311-10	36- 2
1L1-83310-10-93	36- 1	1X6-84511-00	34- 2	1Y2-84551-40-35	35- 8	116-82150-00	38- 3	127-14143-22	10- 3		36-12
1M3-23346-00	19-20	1X9-21610-00-93	17- 9	1Y2-85132-00	35-23	116-82151-00	38- 4	127-14143-23	10- 3		37- 2
1M3-27114-00	11-12	1X9-22110-00-33	15- 1	1Y4-83330-70-93	36-11	117-15644-00	8-15	127-14143-24	10- 3		37- 6
1M3-83513-00	33- 4	1Y0-26111-00	21- 1	1Y4-85112-00-35	35-23	120-27431-00	15-12	127-14143-25	10- 3	156-14135-00	10-28
1T8-23111-00	19-18	1Y0-26290-00	21-30	1Y6-84510-20	34- 1	120-27433-00	15-13	127-14143-26	10- 3	156-15618-01	8- 6
1T8-23112-00	19-17	1Y0-26290-10	21-29	1Y6-84511-20	34- 2	122-14612-02	11- 2	127-14143-32	10- 3	156-23411-00	20- 1
1T8-23114-00	19-16	1Y0-26341-00	21-21	101-25412-00	30-20	122-15612-02	8- 2	127-14143-34	10- 3	156-23412-00	20- 3
1T8-23145-00	19- 4	1Y1-21245-00	14-26	102-11633-02	3- 9	122-16164-00	4- 3	127-14143-36	10- 3	156-26329-00	22-39
1T8-23156-00	19- 5	1Y1-21286-00	14-27	102-18416-00	28-19		4-14	127-14161-00	10-25	164-15415-00	2- 5
1U0-25388-00	30-29	1Y1-21714-00	14-15	102-22123-00	15- 2	122-21517-00	17- 4	127-84524-30	35- 7	164-18561-00	6-12
1U0-83519-00-98	33- 5	1Y1-21724-00	14-18	102-24522-01	24-12	122-22151-00	15- 6	129-15489-10	2-23	164-21778-00	25- 7
1U1-23101-31	18- 1	1Y1-2176A-00	25- 4	102-25137-00	27-34	122-23119-01	19-22	131-16321-00	4- 5	164-26363-00	21-20
1U1-23136-11-35	18- 3	1Y1-21763-00	25- 3	102-25315-00	30- 8	122-23129-00	19-23	132-14613-00	11- 3		22-41
1U4-25850-01	23- 1	1Y1-21764-00	25- 2	102-25371-00	30-35	122-23346-01	18-21	132-15653-00-10	5-18	180-14158-01	10-23
1V1-26243-00	21-16	1Y1-21776-00	25-13	102-25389-00	30-25	122-24181-00	24- 4	132-15653-00-12	5-18	180-14168-00	10-24
	22-15	1Y1-22210-20-93	15-17	104-81328-20	13-12	122-24521-00	24-13	132-15653-00-14	5-18	180-22117-00	15- 7
1V1-83922-00	22-20	1Y1-23122-00	18-14	104-82110-10	38- 1	122-24532-00	24-15	132-15664-01	8-13	180-27231-01	16-11
1V9-84517-02	34-11		19-13	104-82110-21	38- 1	122-24610-01	24- 6	132-15676-01	8-11	183-23411-00	20- 5

NUMERICAL INDEX

Part No.	Ref.No.	Part No.	Ref.No.	Part No.	Ref.No.	Part No.	Ref.No.	Part No.	Ref.No.	Part No.	Ref.No.
183-23412-00	20- 4	2R6-25810-30	29- 4	257-13175-00	12- 3	257-18512-01	6- 3	288-25445-10-33	30-19	3E8-21781-10	14-20
183-25149-00	27-19	2T5-26244-00	22-35	257-13178-00	12- 8	257-18531-00	6-20	290-84115-21	32- 3	3E8-21781-20	14-20
183-83312-70	36- 4	2T5-26261-00	22-30	257-15111-01	1- 1	257-18534-00	6- 1	290-84124-21	32- 8	3E8-21781-30	14-20
183-83313-70	36- 3	2T5-26262-00	22-32	257-15389-00	5- 7	257-18540-60	6- 7	296-14753-02	11- 7	3E8-21782-00	14-21
183-83332-21	36- 4	2T5-26267-00	22-36	257-15410-01	2- 1	257-81309-21	13- 3	296-25135-00	27-20	3E8-21782-10	14-21
183-83333-21	36- 5	2T5-26273-00	22-34	257-15413-00	2-18	257-81315-20	13-15	296-25138-00	27-30	3E8-21782-20	14-21
183-83333-71	36- 5	2T5-26274-00	22-33	257-15417-01	2-10	259-18511-01	6- 2	296-25304-00	30- 2	3E8-21782-30	14-21
	36-15	2U2-23126-00	19- 2	257-15433-00	2-24	260-11610-02	3-11	296-27231-00	16-11	3E8-23101-00	19- 1
185-23435-00-33	20- 8	2U2-23136-00	19- 3	257-15463-00	2-19	260-11610-12	3-11	296-84523-00	35- 4	3E8-24110-00-01	24- 1
195-25115-00	27- 8	2U2-23151-00	19- 8	257-15610-02-91	8- 1	260-11610-22	3-11	3E1-11351-00	1-11	3E8-24110-00-02	24- 1
195-25117-00	27- 7	2W0-83520-00	33- 2	257-15651-01	5-20	260-14142-25	10-13	3E1-83350-10	38-33	3E8-24110-00-03	24- 1
195-84315-01	31- 3	205-82530-01	38-26	257-15668-00	8-18	260-14181-10	10- 7	3E8-W0003-00	39-23	3E8-24110-00-04	24- 1
195-84320-00	31- 4	205-82539-00	38-27	257-16111-01	3-14	260-14184-00	10- 5	3E8-W2473-00	26- 1	3E8-24184-00	24- 5
195-84324-00	31- 7	207-23112-00	18-18	257-16150-03	4- 2	260-14190-12	10-10	3E8-11111-00	1-14	3E8-24240-00	24- 2
196-23191-40	18-12	207-23116-01	18-16	257-16301-03	4- 1	260-22311-00-35	15- 8	3E8-11311-00	1-12	3E8-24240-10	24- 2
2A6-81321-20	13- 7		19-15	257-16324-00	4- 6	260-22311-00-93	15- 8	3E8-11400-00	3- 1	3E8-24240-20	24- 2
2A6-83371-10	38-30	207-23117-00	18-10	257-16341-00	4-20	260-23111-40	18-19	3E8-11412-00	3- 2	3E8-24240-30	24- 2
2F2-14481-00	2-21	207-23141-10	18-11	257-16342-00	4-17	260-23121-40-33	18-23	3E8-11422-00	3- 3	3E8-24731-00	26- 2
2L4-25872-00	23-13	207-23147-00	18- 4	257-16351-00	4- 7		19-26	3E8-11630-00	39- 1	3E8-24756-00	26- 3
2L4-25872-10	23-13	207-23163-00	18-15	257-16357-00	4-16	260-23131-40-33	18-24	3E8-11630-10	39- 1	3E8-24756-10	26- 3
2L4-25876-00	23-17		19-14	257-16371-01	4- 4		19-27	3E8-11630-20	39- 1	3E8-24756-20	26- 3
2L6-23110-00	19- 6	207-27111-00	16- 1	257-17121-00	5- 4	260-23318-40	18-22	3E8-11631-00-96	3- 8	3E8-24756-30	26- 3
2L6-23170-00	19- 7	207-81312-21	13- 4	257-17131-01	5- 2		19-21	3E8-11631-00-97	3- 8	3E9-26111-20	21- 1
2L6-26111-20	22- 1	209-23142-40	18-13	257-17141-00	5- 5	260-27411-00	16- 7	3E8-11635-00	3- 8	3F0-11111-00	1-14
2M4-81312-20	13- 4		19-12	257-17211-00	5-15	260-28100-10	14-25	3E8-11636-00	3- 8	3F0-14101-00	10- 1
2M4-81313-20	13- 5	209-23150-41	18- 7	257-17219-00	5-16	260-83550-01	33-10	3E8-14411-00	9- 1	3F0-17420-00	5-11
2M5-83310-N0-93	37- 1	214-83912-00	22- 8	257-17221-01	5-12	260-84110-00	31- 2	3E8-14417-00	9-10	3F0-26335-10	21-19
2M6-83310-N0-93	37- 1	214-84553-01	35-11	257-17231-00	5-14	278-23181-50	19-25	3E8-14451-00	9- 2	3F1-W0001-00	39-11
2M7-81313-20	13- 5	232-83922-31-38	21- 9	257-17411-01	5- 1	278-84718-40	35- 6	3E8-14453-00	9- 8	3F1-11111-00	1-14
2N3-21771-01	25- 5	235-26241-10	22- 2	257-17461-21	5-25	283-14112-25	10-17	3E8-14473-00	9- 3	3F1-21510-00-93	17- 5
2N3-83333-N0	37- 4	241-84311-00-33	31- 1	257-17461-41	5-25	283-26111-00	21- 1	3E8-14498-00	9- 4	3F1-23101-00	19- 1
	37- 8		32- 1	257-17471-01	5- 9	287-14136-00	10-19	3E8-21711-00	14-14	3F1-24770-00-E9	26-11
2R6-W0045-00	29- 5	241-84312-00	31- 6	257-18101-01	7- 1	288-14481-01	2-21	3E8-21721-00	14-17	3F1-24770-00-G3	26-11
2R6-25810-01	29- 4	257-11681-00	3- 6	257-18111-00-91	7- 9	288-25444-10-33	30-19	3E8-21781-00	14-20	3F1-24770-00-33	26-11

NUMERICAL INDEX

Part No.	Ref.No.	Part No.	Ref.No.	Part No.	Ref.No.	Part No.	Ref.No.	Part No.	Ref.No.	Part No.	Ref.No.
3F1-24770-00-36	26-11	3F5-14101-00	10- 1	347-17461-00	5-25	378-11181-60	1-13	468-22311-40-93	15- 8	526-21621-01	17-14
3F1-24771-00	26-12	3F5-14158-00	10-23	348-14116-03	10-14	378-13610-61	9-16	468-84103-40	31- 2	526-82579-00	38- 8
3F1-26335-00	22-40	3F5-14710-00	11- 6	348-14611-00	11- 1	378-13621-60	9-21	468-84112-40	31- 6	535-20000-60	23- 2
3F1-82590-20	38-28	3F5-15421-00	2-11	348-14753-00	11- 7	378-15121-60	1- 2	468-84120-40	31- 4	538-11650-00	39- 6
3F2-W0001-00	39-11	3F5-26311-00	22-27	353-13552-01	12-21	378-15359-60	1-22	469-21110-22-33	14- 1	538-11651-01	3- 4
3F2-W0003-00	39-23	3F5-82590-20	38-28	353-14116-02	10-14	378-15421-60	2-11	469-83382-00	22-52	538-25155-00	27-26
3F2-11311-00	1-12	3F5-83330-N0	37- 5	353-14138-00	10-30	378-15451-60	2-12	470-13505-60	9-22	538-25351-01	27-23
3F2-13100-00	12-12	3F6-81300-20	13- 1	353-23126-91-35	18- 2	381-84103-91	32- 2	470-14112-10	10-17		30-13
3F2-13151-00	22-44	3F6-81315-20	13-15	353-25181-03	27-13	381-84112-91	32- 6	470-14185-00	10- 4	538-25355-00	30-16
3F2-14101-00	10- 1	3F6-81350-20	13- 2	353-25381-00	30-23	381-84120-91	32- 4	471-21610-01-93	17- 9	543-84521-41	35- 5
3F2-14453-00	9- 8	3F6-82508-20	38- 7	353-26241-00	21-14	381-84154-90	32- 9	471-21623-00	17-15	554-24161-00	24- 3
3F2-14710-00	11- 6	3F6-83330-N0	37- 5	353-26242-00	21-15	390-25111-00	28- 1	471-82710-00	21- 2	596-21158-00-33	14- 6
3F2-21288-00	14-32	3K7-81980-00	38-29	353-81970-63	38-11	390-25191-01	28-17	473-21110-03-33	14- 1	596-21191-00-33	14- 7
3F2-21364-00	22-31	304-14261-00	10-32	353-83310-30-93	36- 1	390-25412-00	29- 2	473-84103-40	32- 2	596-23117-00	19- 9
3F2-21721-00	14-17	305-15641-00	8-16	353-83316-30	36- 6	390-25711-00	29- 1	473-84112-40	32- 6	596-23141-00	19-10
3F2-21750-00	25- 1	305-15660-02	8- 8	353-83326-30	36- 7	393-83973-02	22- 3	473-84120-40	32- 4	596-23340-00-33	19-19
3F2-21796-00	25- 8	306-25136-00	28-20	355-23124-90	18- 5	394-26311-10	21-17	474-13610-01	9-16	596-26311-20	22-27
3F2-26311-00	22-27	306-26242-10	22-14	355-23134-90	18- 5	394-27211-00-91	16- 3	474-15421-00	2-11	596-26335-20	22-40
3F2-26312-00	22-28	306-83313-40	36-13	355-24515-00	24-11	395-14121-00	10-22	474-83330-30-93	36-10	603-24531-01	24-14
3F2-26321-00	22-29	306-83332-40	36-14	355-24518-01	24-19	395-14171-00	10-27	474-83340-30-93	36-11	637-14173-00	10-31
3F2-82508-45	38- 7	307-23114-00	18-17	355-24523-00	24-18	404-W0057-00	29- 6	474-83352-00	38-34	808-82370-10	38-23
3F2-82590-20	38-28	307-26281-00	22-16	355-24524-01	24-17	404-20000-30	29- 7	478-25188-00	28-29	90101-06278	27-27
3F2-83350-40	38-33	307-26282-00	22-17	355-25026-00-35	30-11	405-14114-00	10-16		29-11		30-17
3F2-83519-00-98	33- 5	308-84135-21	32- 7	355-26335-10	21-19	428-23191-00	19-11	478-25335-00	30-31	90101-08244	29-12
3F4-W0001-00	39-11	314-13613-00	9-18	355-81973-00	38-17	437-83936-00	22-50	481-25104-00	28- 2	90101-08246	16- 9
3F4-14101-00	10- 1	314-13616-01	9-17	355-82310-40	38-21	449-85131-01	35-19	481-25118-01	28-27	90101-08285	14- 2
3F4-81300-20	13- 1	315-15362-01	2-17	355-83522-00	33- 6	462-23441-00-98	20-12	481-25135-00	28-14	90101-10255	15-18
3F4-81312-20	13- 4	322-25118-00	27-12	355-83524-00	33- 8	462-23442-00-98	20-11	481-25138-00	28-18	90105-10006	20- 9
3F4-81315-20	13-15	326-25330-10	27-24	355-83526-00	33- 7	462-25311-01-35	30- 1	481-26111-00	22- 1	90109-06001	6-18
3F4-82508-20	38- 7		30-14	360-25862-00	23-12	462-25443-10-33	30-19	481-83550-01	33-10	90109-06410	22- 9
3F4-82590-20	38-28	341-25137-00	28-12	360-82910-02	22- 6	463-26111-00	22- 1	498-15371-00	1-19	90109-06465	22-21
3F4-83510-F0	33- 1	341-25149-00	28-10	363-14137-00	10- 9	468-21110-43-33	14- 1	509-23158-L0	19-24	90109-08183	30-36
3F5-W0001-00	39-11	341-25846-00	28-11	367-24500-04	24-10	468-21610-42-93	17- 9	517-11181-00	1-13	90109-08319	30-21
3F5-13505-00	9-22	341-82911-00	22- 7	367-25381-00	28-23	468-22311-40-35	15- 8	517-25111-00-35	27- 1	90109-08367	29- 3

NUMERICAL INDEX

Part No.	Ref.No.	Part No.	Ref.No.	Part No.	Ref.No.	Part No.	Ref.No.	Part No.	Ref.No.	Part No.	Ref.No.
90113-06009	4-22	90201-07076	27-29	90338-12081	23-18	90480-12013	17-20	91401-50085	14-19	92901-05100	6-14
90116-06026	1-10	90201-08083	22-12	90338-26008	6-16	90480-13016	17-20	91490-30020	29-10		11- 8
90119-05001	4- 8		22-22	90340-12005	1-17	90480-13203	14-31	91609-20014	28-22		12-15
90119-06017	20-13	90201-08624	12- 2	90387-06241	35-12	90480-14102	35-17	91609-40016	6-11		26- 5
90123-06011	21-22	90201-10118	23-11	90387-07390	35-16	90480-16110	13-14	91701-06065	14-28		34- 9
90123-08013	22-42	90201-10135	12- 9	90387-10277	27-11	90480-16233	25- 6	91830-21014	2- 4		35-21
90149-05120	21- 4	90201-10138	12- 7	90387-12412	30-26	90501-02217	12-20		2-13		38-10
	21-10	90201-10140	15-20	90387-12670	28-26	90501-05512	22-37	91830-22016	1- 3		38-19
90149-06131	22-24	90201-12174	30-44		30-28	90501-10245	16-15	92501-06008	21-27	92901-05200	38-18
90149-08094	7- 4	90201-12535	3-19	90387-17139	3-13	90501-10312	22-26		22-49	92901-05600	15-11
90152-05005	31- 8	90201-12575	7- 7	90387-22585	22-19	90501-20122	4- 9	92501-06012	5-10		26- 6
	32-10	90201-12657	30-44	90401-10034	23-10	90504-18005	8- 3		23-15		34- 8
90167-03004	22-38	90201-12733	29- 8	90430-04004	12-18	90506-06095	2-22		25- 9	92901-06100	9- 6
90170-06010	22-25	90201-13202	5-21	90430-11034	38-25	90506-06106	9- 9		38-13		14- 9
90170-08158	30-22	90201-20269	27-18	90430-12038	1-18	90506-07066	2- 3		38-35		17- 7
90170-10038	21-18	90201-20279	15-16	90445-05013	10-37	90506-09009	7- 2	92501-06015	1-23		17-19
90170-10159	15- 4	90201-25286	28-13	90445-05015	10-36	90506-09112	6-19		9-23		21-26
90170-12060	4-11	90201-25490	28-15	90445-05019	12-23	90506-16034	27-25		17-16		22-11
90170-12175	3-21	90206-15021	5-19	90445-08171	38- 2		30-15	92501-06018	2-20		22-48
90171-10004	27-35	90208-12015	3-15	90445-09353	24- 8	90506-20041	16-12		10- 8		23- 9
	30-30		4-12	90446-07009	1-20	90506-29054	16- 6	92501-06030	1- 4		23-16
90171-10014	30-30	90209-06095	35-15	90462-06009	21-24	90508-26136	8-12		2-14		30-33
90171-12005	28-28	90209-10021	20-10		22-46	90508-32207	7- 3	92501-06040	2- 8		34-14
90171-12015	28-28	90209-10108	8- 4	90467-08003	24- 9	90560-12138	28- 7		2-15		35-25
90171-12026	29- 9	90240-06009	15-14		25-12	90560-12170	30- 7	92501-06045	1- 5		38-14
90171-12027	29- 9	90249-12008	16-16	90468-02033	12-22	90560-17150	4-13		2- 7		38-32
90176-10013	15-21	90250-06013	6- 4		12-24	91401-12010	10-15		9- 5		38-36
90179-06143	21-23	90280-03017	3-22	90468-12007	14-29	91401-16015	10-33	92501-06050	1- 6	92901-06200	1-16
90179-06176	16-17	90282-05028	3-23		30-39		15-15		2- 9	92901-06600	9- 7
90179-08148	22-43	90334-10006	6- 6	90468-26048	8-17	91401-20012	16-13	92501-06055	1- 9		16-14
90179-12244	3-16	90338-06062	19-28	90480-01141	14-16		30-41	92501-06060	1- 7		17-13
90179-25051	20- 7	90338-07011	21-28	90480-10068	27-22	91401-20020	27-14	92501-06065	1- 8		17-17
90185-06034	30-18	90338-09012	22-51		30-12		30-24	92701-06030	14-23		21-25
90201-06059	35-13	90338-09060	19-29	90480-12012	2-16	91401-30025	28-24	92901-03100	9-19		22-47

NUMERICAL INDEX

Part No.	Ref.No.	Part No.	Ref.No.	Part No.	Ref.No.	Part No.	Ref.No.	Part No.	Ref.No.	Part No.	Ref.No.
92901-06600	25-10	93101-10001	12- 6	93430-08006	12-10	94701-00039	1-24	95601-06100	22-13	98501-05015	15-10
	30-34	93101-12004	7- 6	93430-10016	7- 8	95301-05600	11- 9		22-23	98501-05016	12-11
	34-13	93102-17187	5-24	93430-12008	16- 4		12-16	95701-08100	9-14		22-18
92901-08100	9-15	93102-20009	3-18	93440-10028	8- 5		24-20		14- 4	98501-05018	21- 6
	11-10	93103-25078	1-21	93440-16030	5- 3		26- 4	95821-08090	9-12		21-12
	14- 5	93104-07003	27-32		5-13		38-20	95821-08100	9-13	98501-05020	15-10
	14-12	93104-21016	30-10	93440-32017	6- 9	95301-05700	35-22	95821-08120	14- 3	98501-05022	21- 7
	16-10	93105-45017	28-16	93450-13022	3-10	95301-06600	1-15	97301-05010	34-10		21-13
	17- 3	93105-47007	27-16	93501-04011	4-19		17-18	97301-06010	35-24		22- 4
	17-11	93106-20001	27-10		20- 2		27-28		38-31	98501-05025	38-16
	29-13	93106-20002	28-25	93503-16010	4-15		30-18	97301-06012	14- 8	98501-05030	22- 5
	30-38		30-27	93505-32002	12-19		30-32		34-12		24-16
	31-11	93108-15001	4-18	93603-22028	12- 4		33- 9	97301-06016	17- 6	98511-03045	34- 6
	32-13	93109-15001	8- 9	93604-22050	6-10		34-15	97301-06020	35-14	98512-03008	9-20
	36- 8	93210-14104	27-33	93605-20043	6- 8		35-26	97301-06022	22-10	98601-05012	20-18
	37- 9	93220-08002	10- 6	94125-17259	27- 4		38-15	97301-08012	17- 2	98701-05015	13-16
92901-08200	26- 8	93306-20303	5- 8		28- 6		38-22	97301-08016	14-10	98706-05035	23- 6
	29-14	93306-20418	3-17		30- 4	95301-06700	4-21		17-10	98901-04008	12-17
	31-10	93306-30003	27- 9	94127-17260	30- 4	95301-08600	7- 5	97301-08018	26- 7		
	32-12		27-15	94225-17005	27- 5		11-11	97301-08020	31- 9		
92901-08600	26- 9	93306-30101	30- 9		28- 5		14-13		32-11		
	30-40	93306-30103	28- 9		30- 5		26-10	97301-08030	14-11		
92901-10100	15- 5	93306-30301	5-23	94227-17032	30- 5	95301-08700	30-37	97303-06012	35-10		
	20-15	93306-30302	3-12	94330-17023	27- 7		31-12	97303-06030	36-16		
92901-10200	15-19	93310-11268	3- 7		28- 4		32-14	97311-06025	8- 7		
92901-10600	20-16	93310-41809	3- 5	94330-17023	30- 6		36- 9	97321-06016	17-12		
	27-36	93410-13004	5- 6	94412-17002	27- 3		37-10	97321-06020	7-11		
92901-12100	3-20		5-17	94414-17003	30- 3	95301-10600	20-14	97321-06025	23- 8		
92901-12600	28-21		5-22	94414-17090	28- 3	95302-05600	10-35	98501-04006	2- 6		
92903-05100	35-21	93410-15005	8-10	94416-17096	30- 3		35-22	98501-04010	9-11		
92903-05600	35-20	93410-16007	5-26	94416-17149	28- 3	95303-06600	36-19	98501-05008	15- 9		
92903-06100	35- 9	93410-20009	27-17	94580-13098	30-42	95303-06800	35-18	98501-05010	22-45		
	36-18	93410-25017	8-14	94580-13100	30-42	95601-05100	21- 5	98501-05012	6-13		
92903-06200	36-17	93430-08006	6- 5	94604-20001	30-43		21-11		38- 9		



YAMAHA MOTOR CO., LTD.

PRINTED IN JAPAN

First edition Jan., 1979